



**UM1 Bracket**

# INSTALLATION

## NLA-UM1

Thank you for purchasing the NLA-UM1 mounting bracket. Please read the directions thoroughly and plan how the mount would be best installed for its intended use. Failure to do so may result in Damage, Personal Injury, or voiding the warranty.








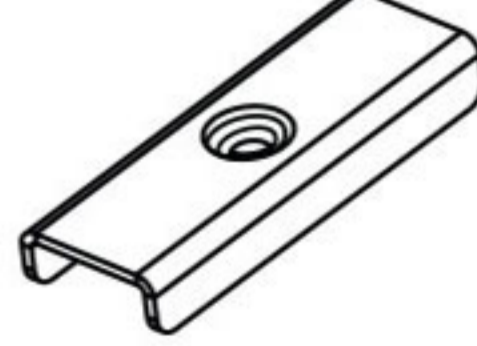
It is the installer's responsibility to ensure all components are properly installed. JS Speaker Technology LLC is not responsible for any damage or injury resulting from improper mounting or use of the UM1 bracket.



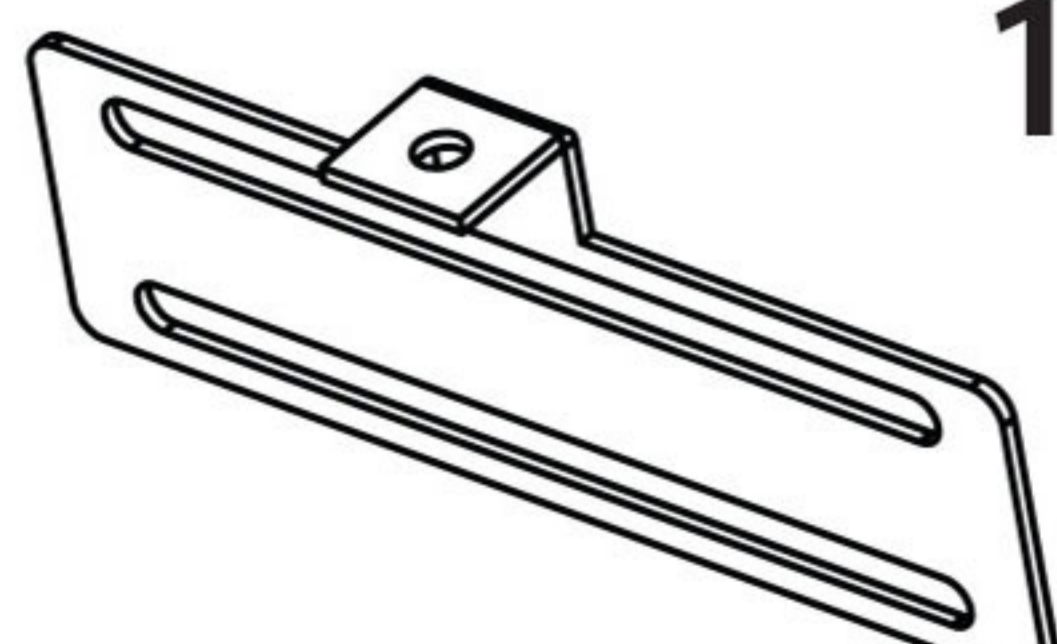
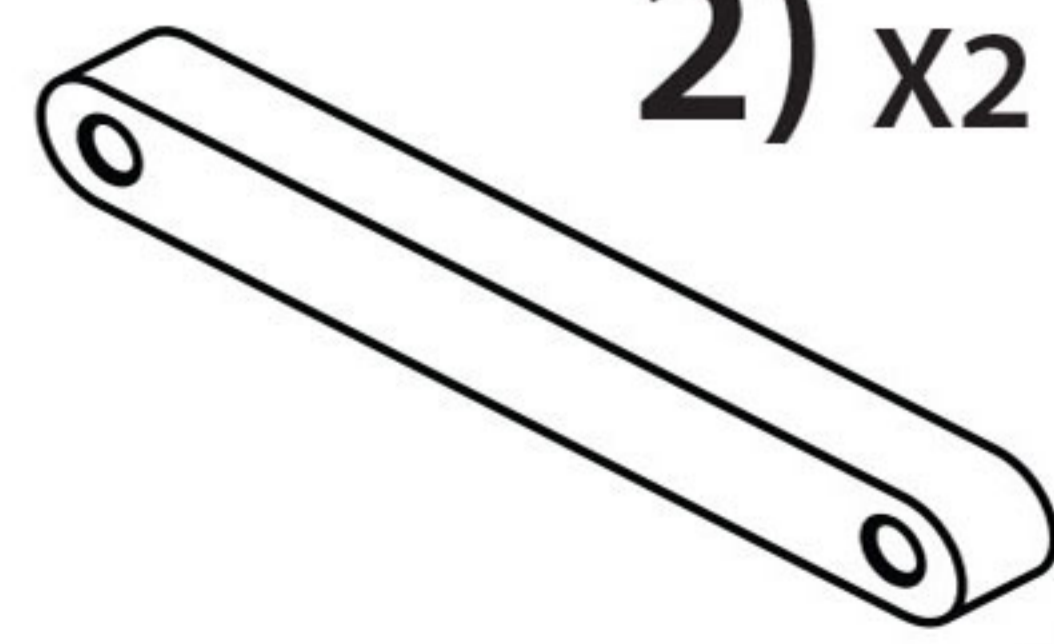
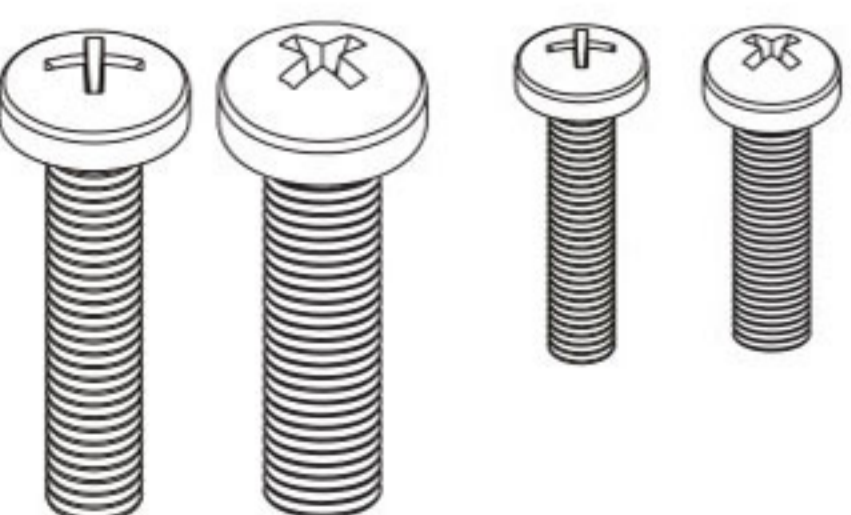


**CAUTION:** The NLA-UM1 is intended for use only for use with the following products up to the maximum weight: Fusion Frame 2.0, Fusion Frame Lux, Fusion Flat, Fusion Flat Lux, Fusion 4.5, Fusion S3 and Elite ARC. Use with any product greater than **35 lbs** may result in instability causing possible serious injury or damage. Review all relevant manuals to ensure that the setup can handle the load.

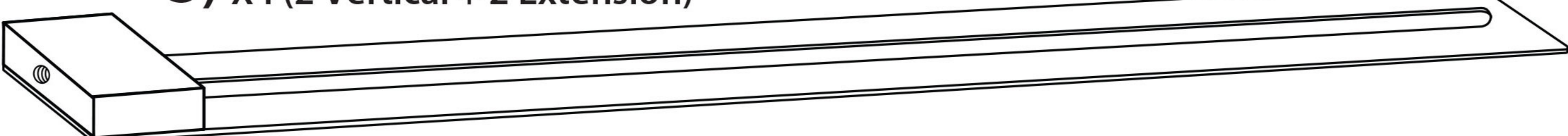
**DISCLAIMER:** Maximum weight restrictions are only guidelines and **ARE NOT** absolute! Use precaution when mounting.

### Hardware List

<p><b>A. x4</b> Metal Washer 6</p> 	<p><b>B. x4</b> Nylon Washer 8</p> 	<p><b>C. x4</b> Socket Pan Head Screw M6x12</p> 	<p><b>D. x1</b> 4mm Allen Key</p> 	<p><b>E. x1</b> 6mm Allen Key</p> 	<p><b>F. x2</b> Socket Pan Head Screw M8x16</p> 	<p><b>G. x2</b> Cylinder Head Screw M8x45</p> 	<p><b>H/I. x4</b> Slider Plate</p> 
--	--	---	--	---	---	---	--

### Parts List

<p><b>1) x2</b></p> 	<p><b>2) x2</b></p> 	<p><b>TV Mounting Screws(Cross Recess)</b></p>  <p>M6x13mm (x4 each) - J M6x30mm (x4 each) - K M8x13mm (x4 each) - L M8x30mm (x4 each) - M</p>	<p><b>N. X4</b> Metal Washer 6</p>  <p><b>O. X4</b> Metal Washer 8</p> 
---	---	---	---

<p><b>3) X4 (2 Vertical + 2 Extension)</b></p> 
---

**1****Vertical Arms Assembly**

Attach vertical arms (3) assembled with aluminum plate to extender arm (2) Using bolt (G) and Nylon Washer (B). 6mm Allen Key (E) and tighten. (May need to loosen bolts later to adjust for depth but tighten before final assembly). (See Fig.1)

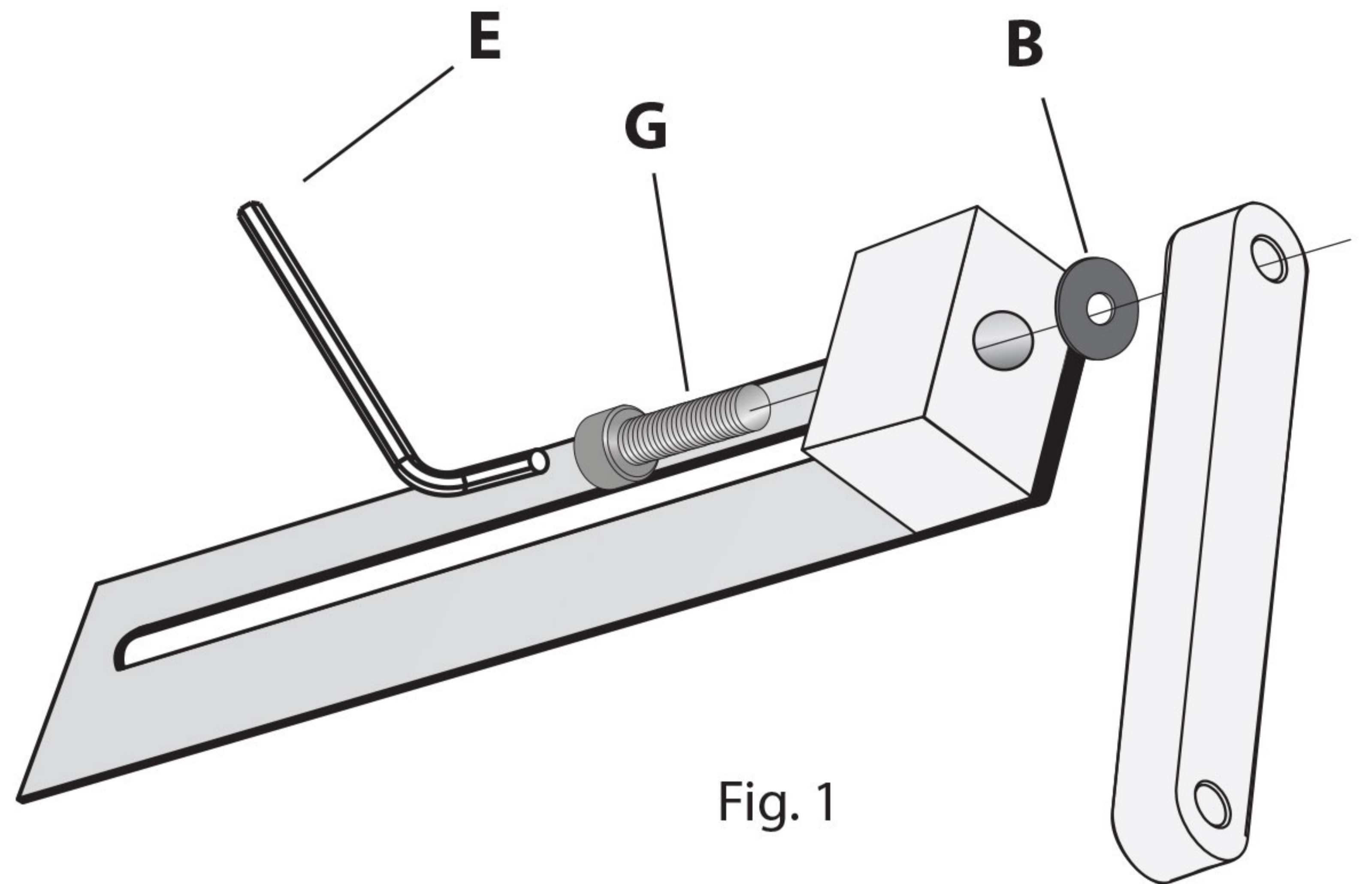


Fig. 1

**2****Vertical Arms Assembly**

Using Nylon Washer (B) and Cylinder Head Screw (F) slide through open end of extender arm (2) into Sound bar plate (1). 6mm Allen Key (E) and tighten. (May need to loosen bolts later to adjust for depth but tighten before final assembly). (See Fig.2)

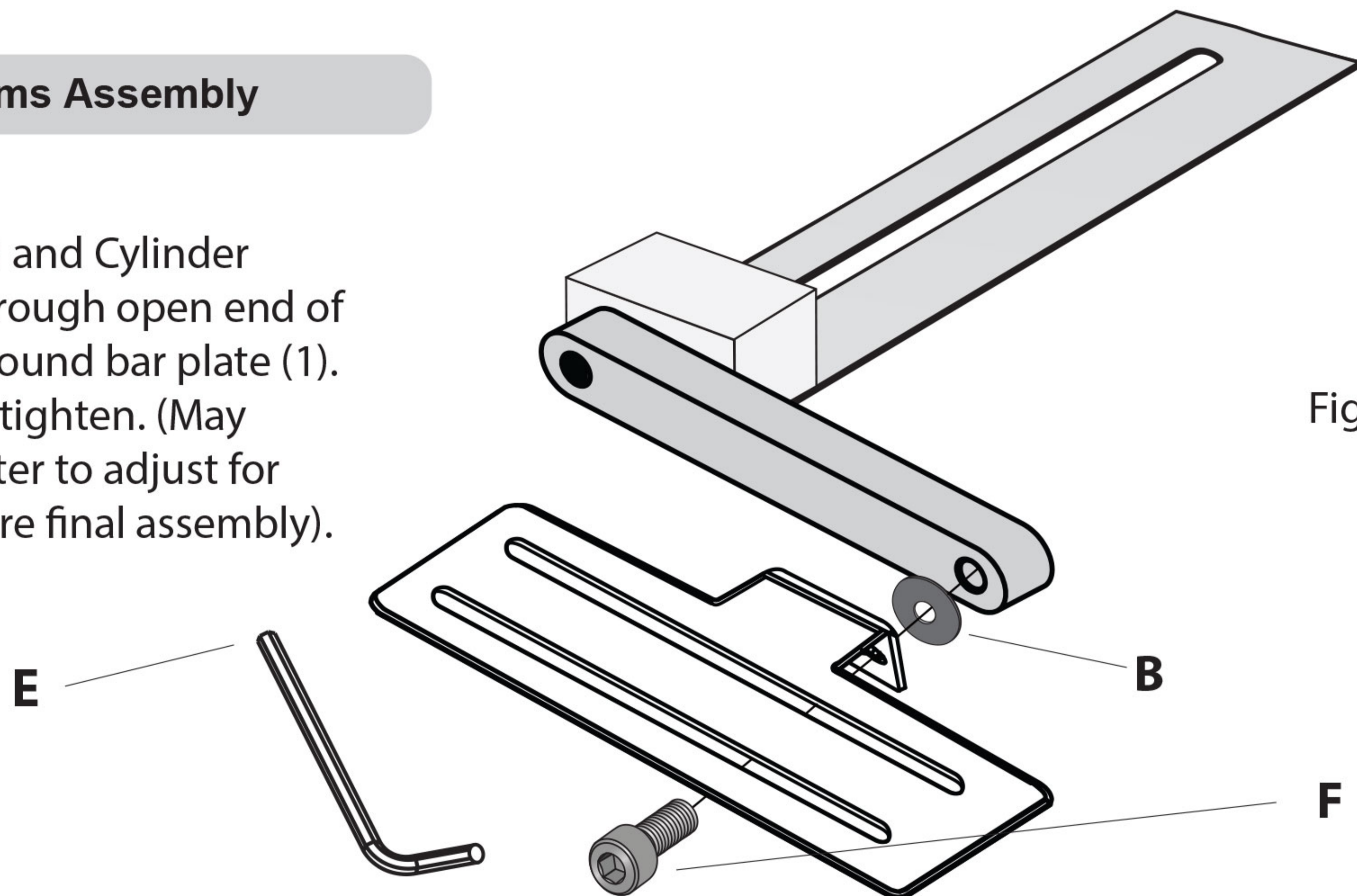


Fig. 2

Repeat steps 2 & 3 on second vertical arm. The solid build of this heavy duty steel soundbar mount will support up to 35 pounds. The steel rails are treated with rough powder coating to prevent slippage of the soundbar so it will stay in the right place when mounted to your TV.

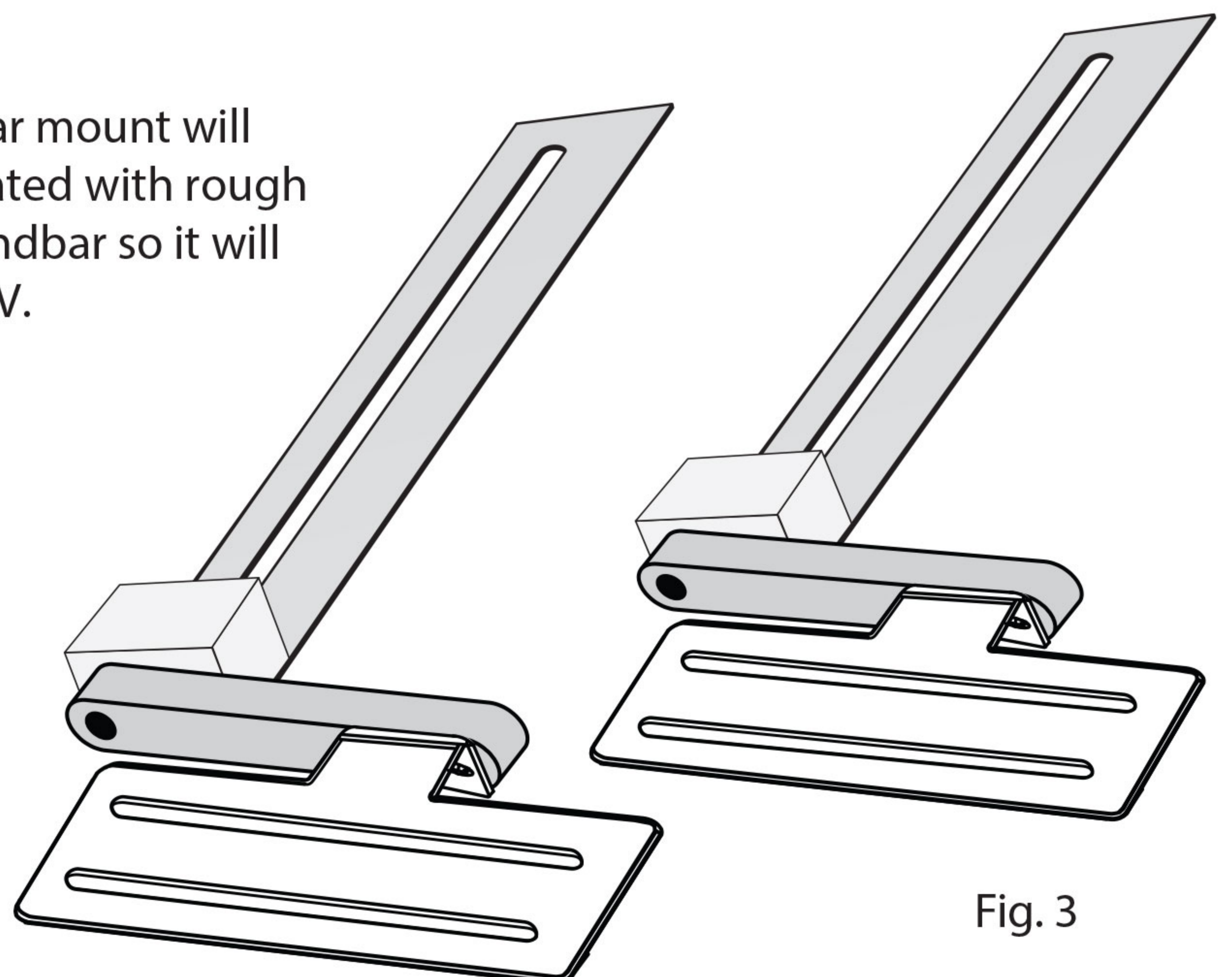


Fig. 3

### 3 TV / Soundbar Mount Installation

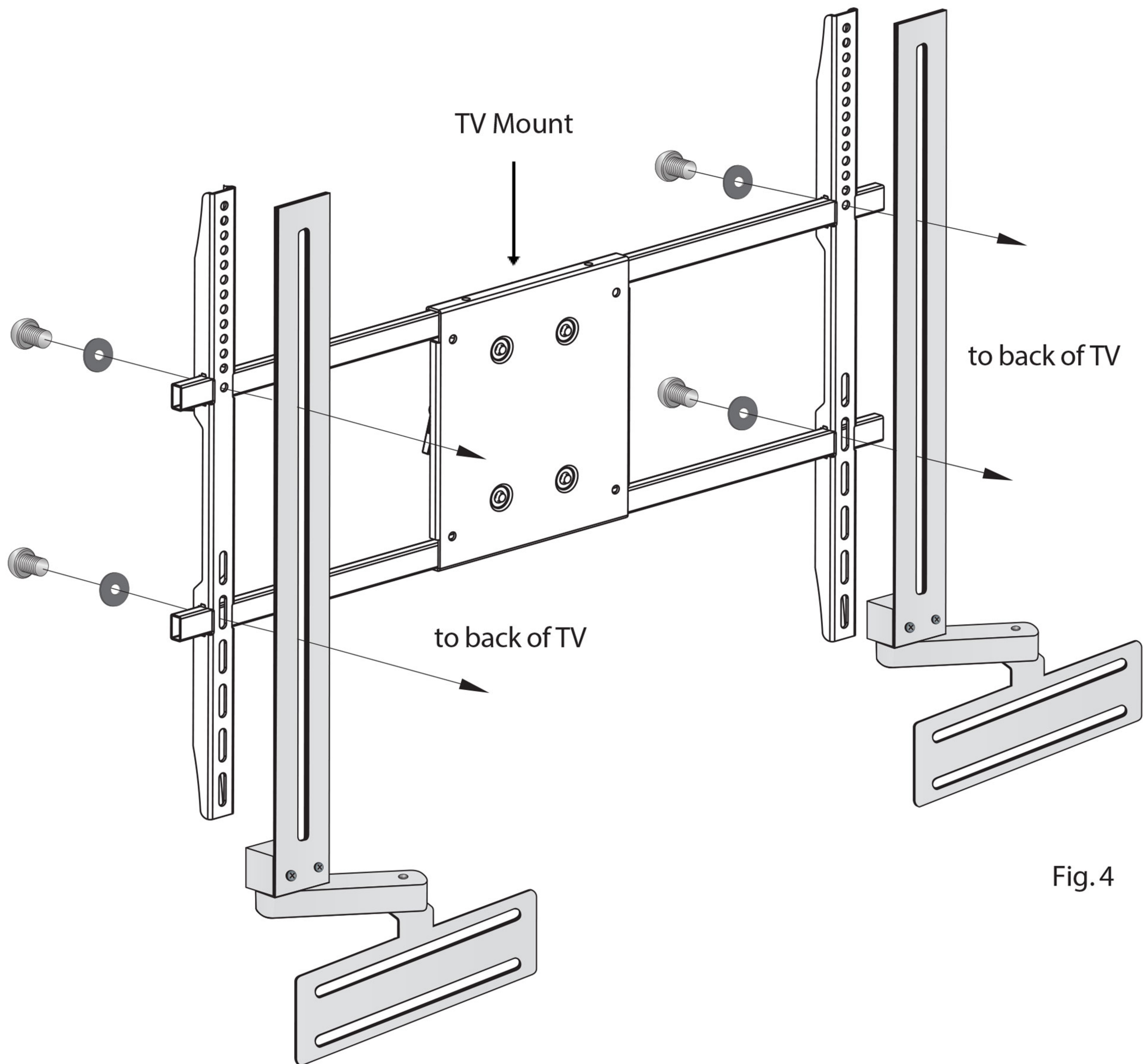


Fig.4

**Requires more than one person:** We recommend laying the TV on a flat padded surface with the back side displayed to complete the installation. Please take care not to damage the TV during this process.

Place the soundbar+grille with the back exposed flush to the bottom edge of the TV. This may require additional positioning if your speaker grille has a notch for an IR badge. Place the vertical slotted bars from the NLA-UM1 soundbar bracket onto the back of the TV so that the slotted channel runs over the TV vesa holes.

#1: If required, and the vertical soundbar bracket does not reach the top vesa hole on the back of the TV, follow the extension bracket Step #4 before preceding.

#2: Manipulate the NLA-UM1 swing arm and horizontal slotted bracket so that it sits flush on the back of the soundbar. Secure the horizontal slotted bracket to the soundbar using the black screws and washers provided. It is advisable to pre-drill. **DO NOT OVERTIGHTEN.** If threaded inserts are installed, use the provided bolts and washers.

#3: Place the TV mount manufacturers brackets that normally attach to the TV on top of the soundbar vertical brackets. The vertical UM1 brackets should now be sandwiched between the back of the TV and the TV mount manufacturers brackets. Using vesa bolt hardware (provided by TV mount manufacturer), secure the entire sandwiched assembly (TV Mount Bracket / UM1 Bracket / TV) to the back of the TV as depicted in Fig. 4.

#4: **Suggested Installation Method:** Detach the horizontal slotted soundbar brackets with swing arm from the vertical soundbar bracket leaving the horizontal slotted soundbar bracket still attached to the back of the soundbar.

#5: Mount the TV to the TV mount manufacturers wall mount.

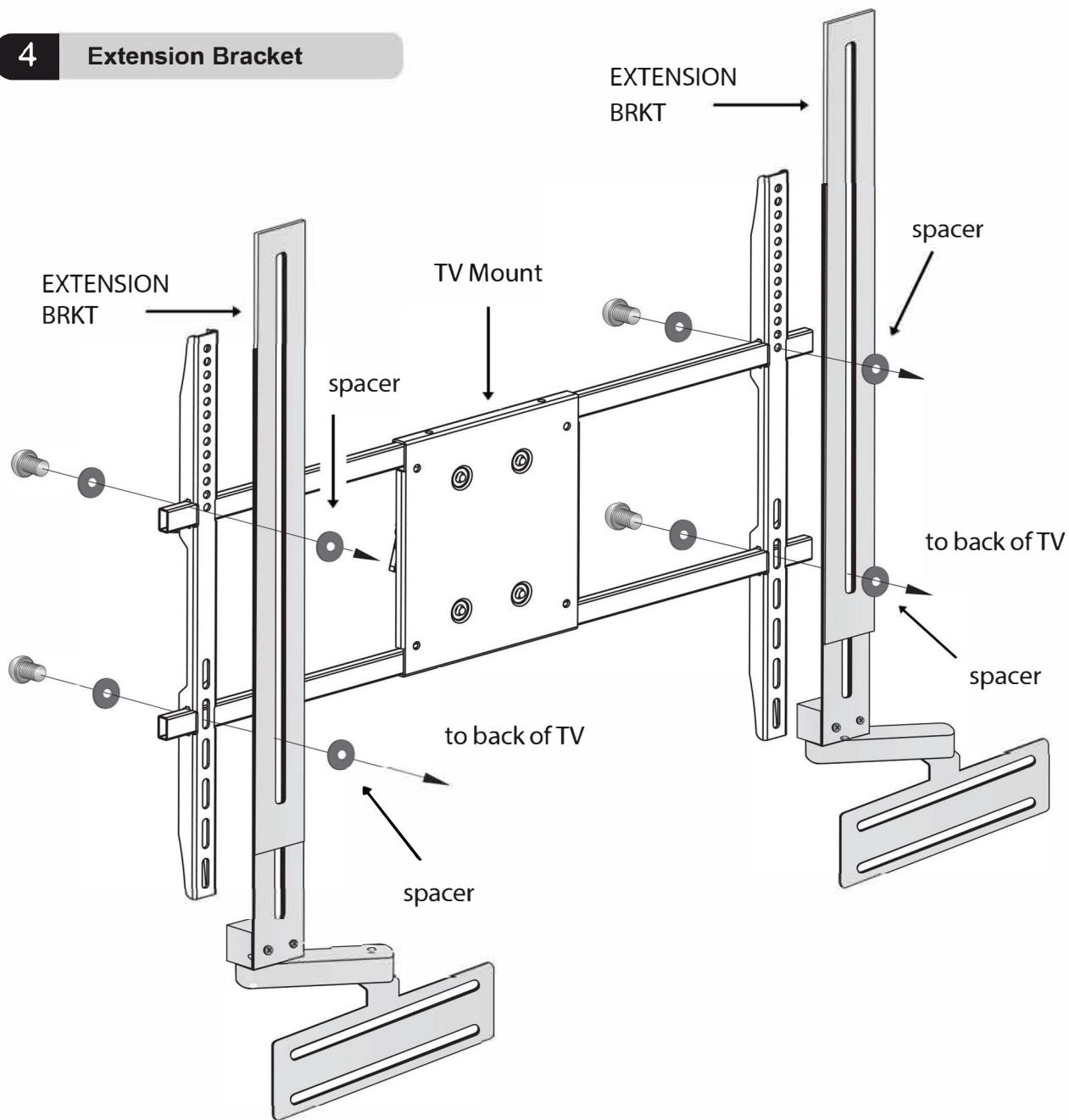
#6: **Requires more than one person:** Re-attach the horizontal slotted soundbar bracket to the soundbar vertical brackets. You may need to make additional adjustments including the height in order to achieve a flush look (see below warning).



**WARNING:** BE EXTREMELY careful if you make height adjustments to the NLA-UM1 while the TV is mounted to the wall. Over loosening the vesa bolts may compromise the structural integrity of the entire wall mounted assembly. We recommend placing the TV assembly back onto a flat surface to make the adjustments and then repeat the mounting steps above.

## 4

## Extension Bracket



There may be instances, due to TV size and vesa pattern locations, when the top vesa holes on the TV are too high for a single bracket to reach. If required, use the extension vertical brackets to extend the assembly to reach the top vesa holes.

**First:** Couple the extension brackets to the vertical arm brackets using the carriage bolt and nylon nut provided. It is advisable to use the provided nylon spacer between the back of the TV and the soundbar bracket assembly over the vesa holes so that the hardware used to couple the extension bracket to the vertical arm bracket does not rub against the back of the display. This also creates a flat surface for the entire assembly.

**Second:** Following the normal mounting instructions - Step 3 (page 4).

## Warranty

JS Speaker Technology LLC guarantees the NLA-UM1 to be free of defects for the product's warranty period of 3 years.

The warranty period begins on the original date of shipping. The limited warranty is intended only for the original purchaser. The warranty will be void if the bracket is modified in anyway or not installed correctly, including overloading, abuse, or use for any purpose other than specified in these directions. The NLA-UM1 is for indoor use only and any use outdoors will void this warranty.

JS Speaker Technology LLC is not liable for any damage or injury caused from the use of or the inability to use our bracket. To the maximum extent permitted by applicable law, JS Speaker Technology, LLC disclaims any responsibility for incidental or consequential damages.

Additional terms and limited warranty conditions that apply to this product are listed on the Next Level Acoustics website at:

[www.nextlevelacoustics.com/warranty](http://www.nextlevelacoustics.com/warranty).

