

4

3

2

1

D

D

C

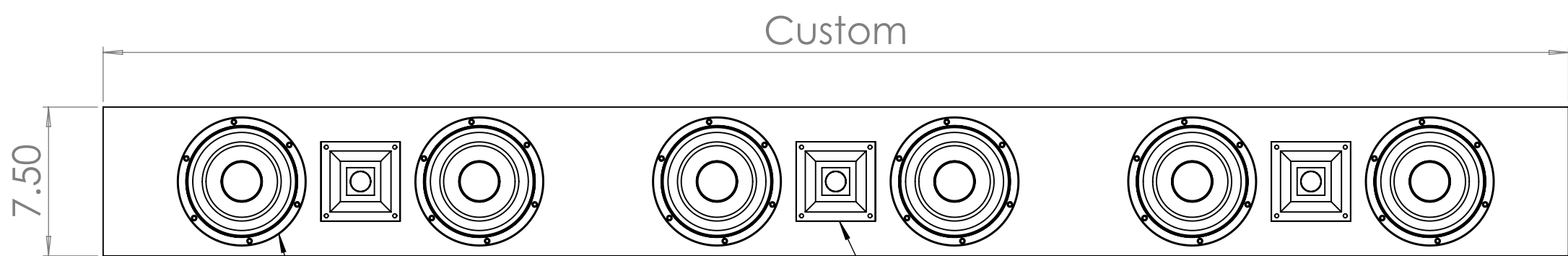
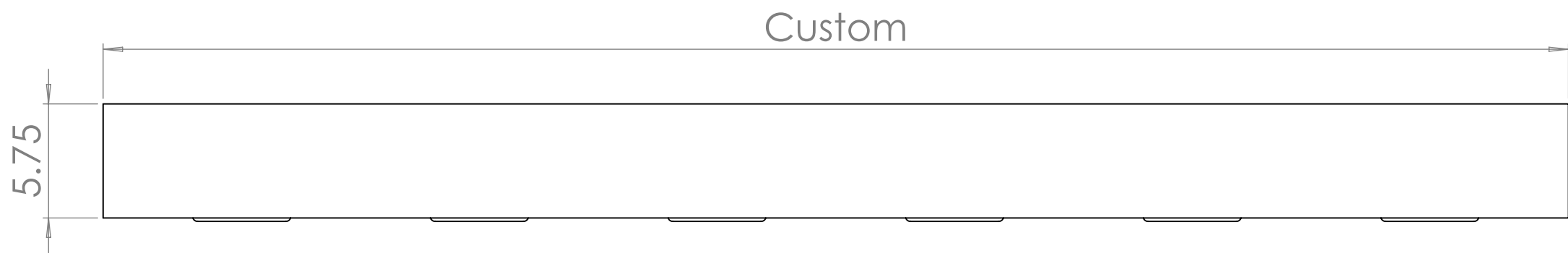
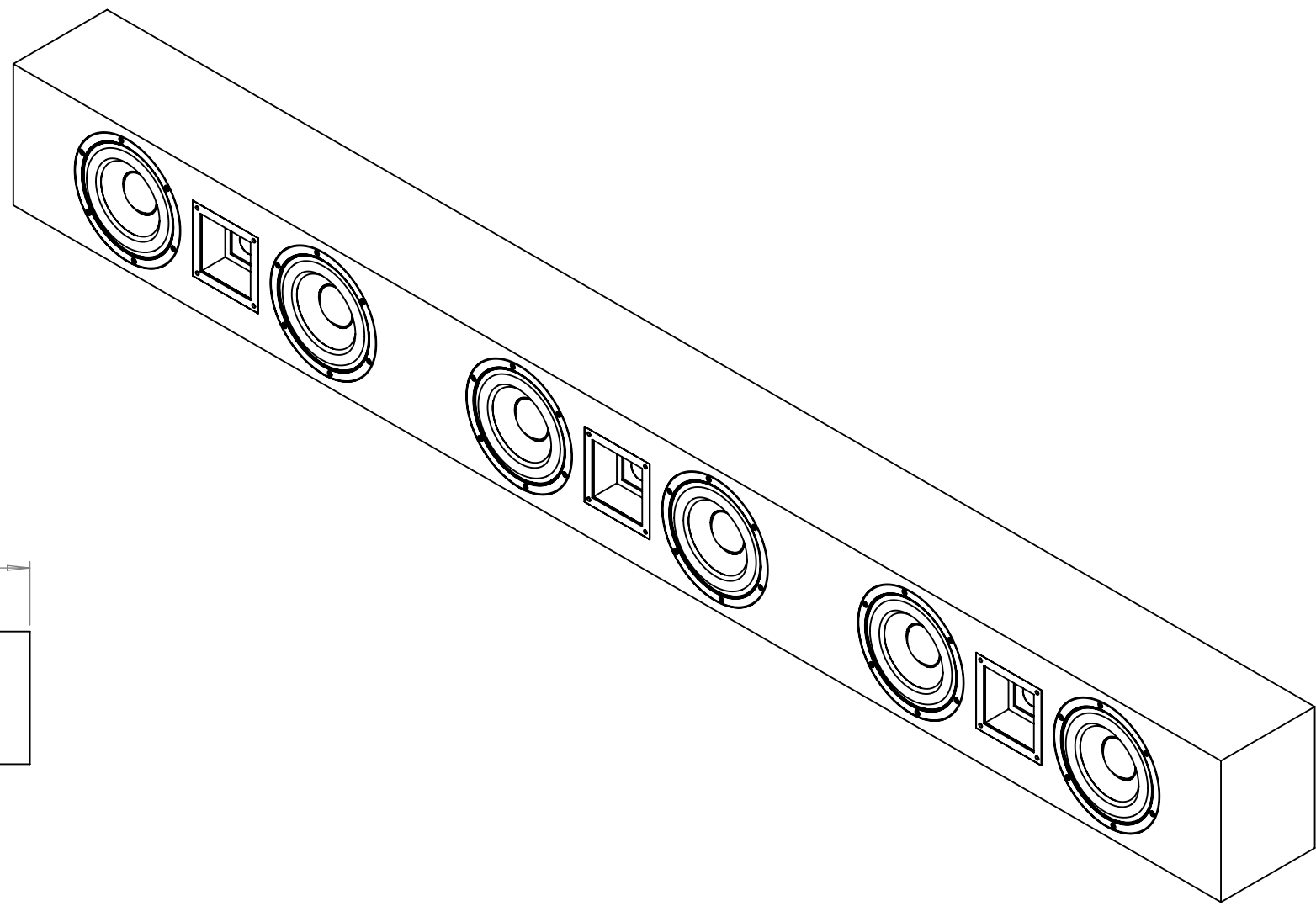
C

B

B

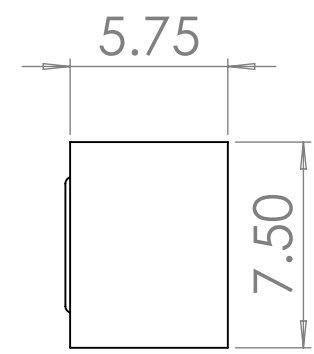
A

A



6.5" Driver

4" x 4" Horn



Note : There may be small variances in the dimensional measurements.



PROPRIETARY AND CONFIDENTIAL
 THE INFORMATION CONTAINED IN THIS DRAWING IS THE SOLE PROPERTY OF NEXT LEVEL ACOUSTICS. ANY REPRODUCTION IN PART OR AS A WHOLE WITHOUT THE WRITTEN PERMISSION OF NEXT LEVEL ACOUSTICS IS PROHIBITED.

| | | | | | |
|--------------------------------------|----------------------|-----------|------|------|--------------------------------------|
| UNLESS OTHERWISE SPECIFIED: | | DRAWN | NAME | DATE | TITLE: Cinema Soundbar LCR |
| DIMENSIONS ARE IN INCHES | | CHECKED | | | |
| TOLERANCES: | | ENG APPR. | | | |
| FRACTIONAL ± | | MFG APPR. | | | |
| ANGULAR: MACH ± BEND ± | | Q.A. | | | SIZE DWG. NO. REV |
| TWO PLACE DECIMAL ± | | COMMENTS: | | | |
| THREE PLACE DECIMAL ± | | | | | SCALE: 1:7 WEIGHT: |
| INTERPRET GEOMETRIC TOLERANCING PER: | MATERIAL | FINISH | | | |
| APPLICATION | DO NOT SCALE DRAWING | | | | |

4

3

2

1

4

3

2

1

D

D

C

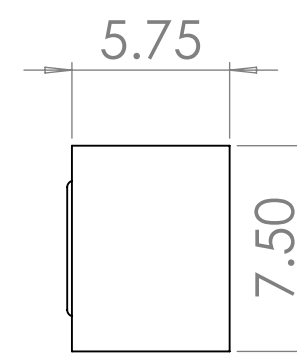
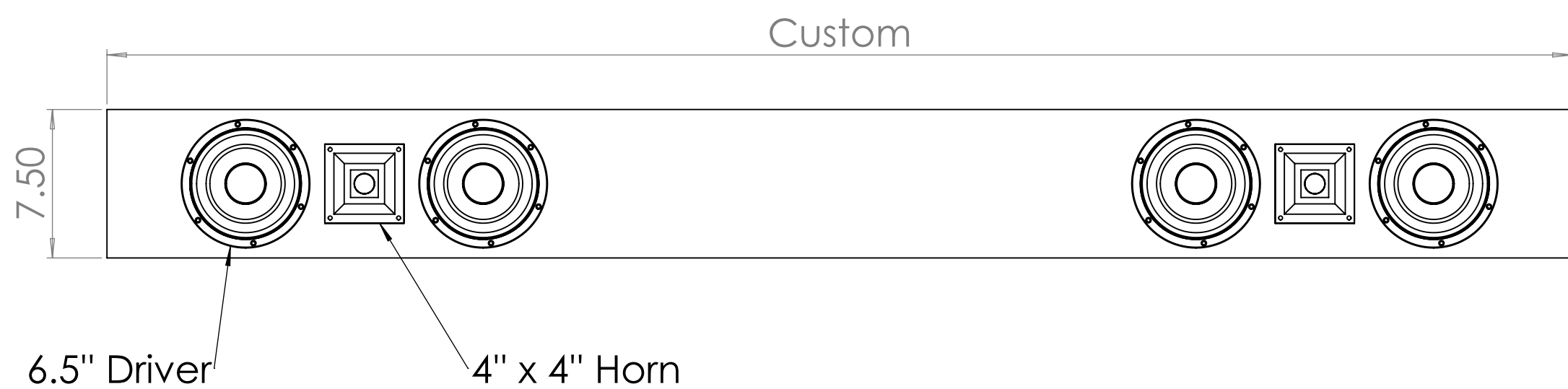
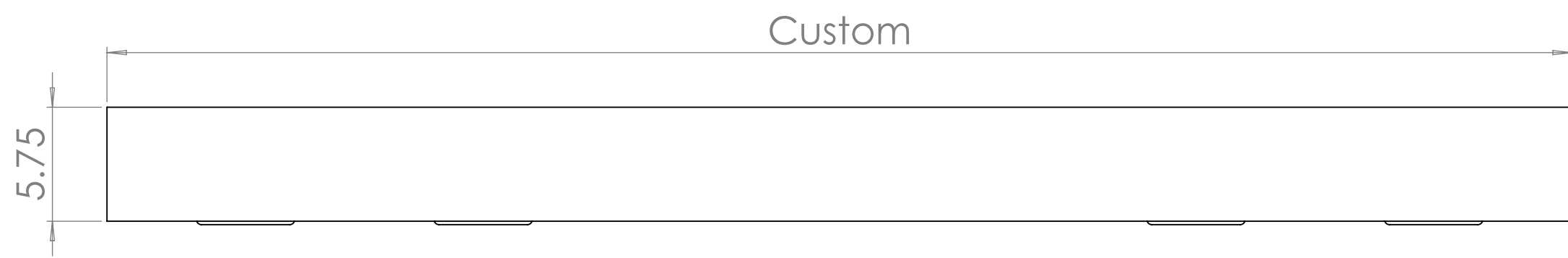
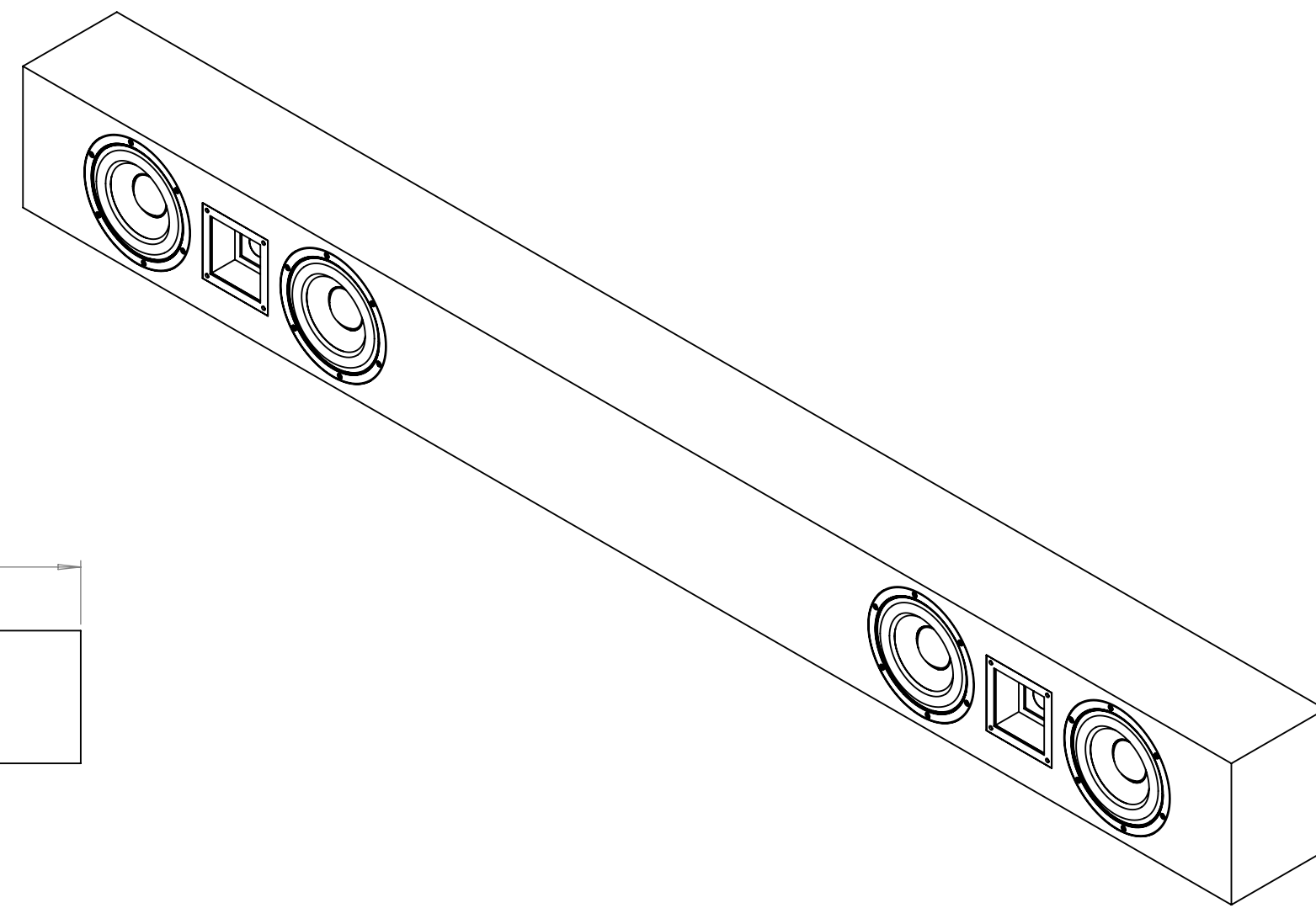
C

B

B

A

A



Note : There may be small variances in the dimensional measurements.

| | | | | | |
|-----------|---------|--------------------------------------|--|-----------|------|
| | | UNLESS OTHERWISE SPECIFIED: | | NAME | DATE |
| | | DIMENSIONS ARE IN INCHES | | DRAWN | |
| | | TOLERANCES: | | CHECKED | |
| | | FRACTIONAL ± | | ENG APPR. | |
| | | ANGULAR: MACH ± BEND ± | | MFG APPR. | |
| | | TWO PLACE DECIMAL ± | | Q.A. | |
| | | THREE PLACE DECIMAL ± | | COMMENTS: | |
| | | INTERPRET GEOMETRIC TOLERANCING PER: | | | |
| | | MATERIAL | | | |
| | | FINISH | | | |
| NEXT ASSY | USED ON | APPLICATION | | | |
| | | DO NOT SCALE DRAWING | | | |

TITLE:
Cinema Soundbar Stereo

SIZE DWG. NO. REV
C

SCALE: 1:7 WEIGHT:



PROPRIETARY AND CONFIDENTIAL
THE INFORMATION CONTAINED IN THIS DRAWING IS THE SOLE PROPERTY OF NEXT LEVEL ACOUSTICS. ANY REPRODUCTION IN PART OR AS A WHOLE WITHOUT THE WRITTEN PERMISSION OF NEXT LEVEL ACOUSTICS IS PROHIBITED.

4

3

2

1