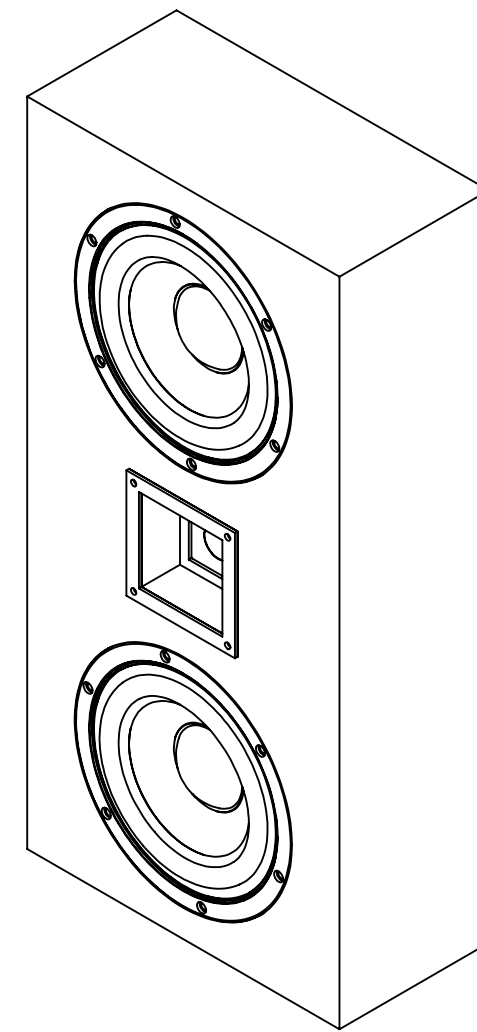
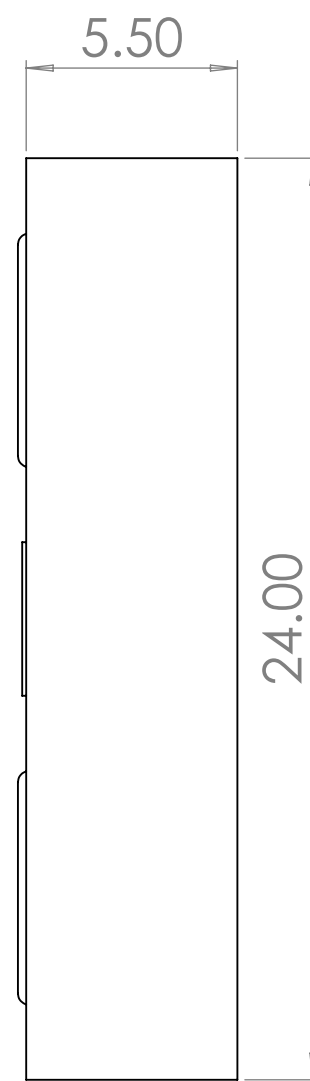
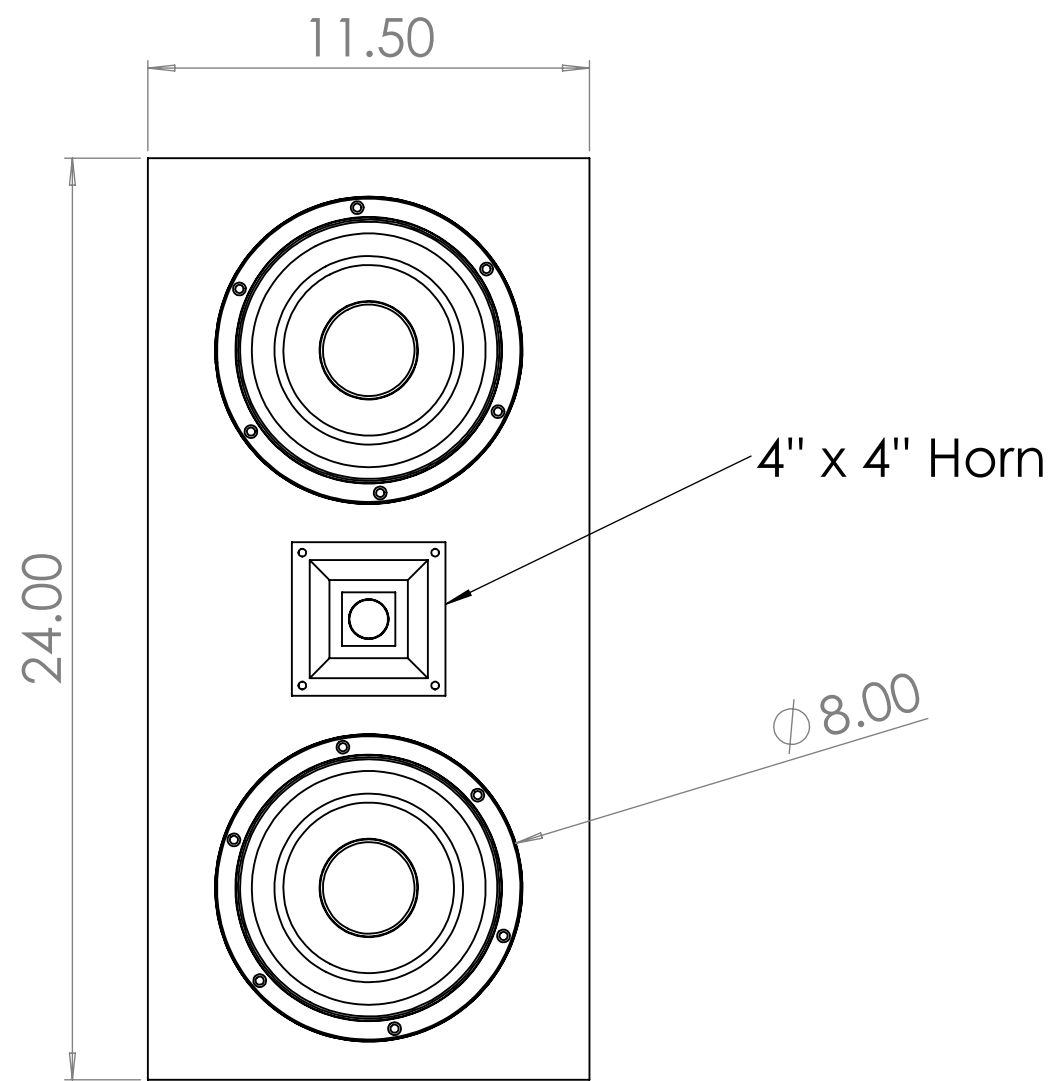
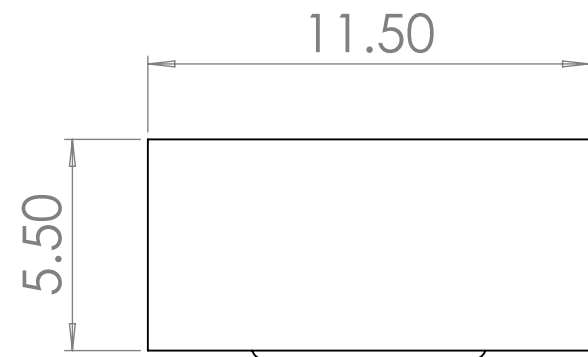


4

3

2

1



Note : There may be small variances in the dimensional measurements.



PROPRIETARY AND CONFIDENTIAL
 THE INFORMATION CONTAINED IN THIS DRAWING IS THE SOLE PROPERTY OF NEXT LEVEL ACOUSTICS. ANY REPRODUCTION IN PART OR AS A WHOLE WITHOUT THE WRITTEN PERMISSION OF NEXT LEVEL ACOUSTICS IS PROHIBITED.

UNLESS OTHERWISE SPECIFIED:		DRAWN	NAME	DATE
DIMENSIONS ARE IN INCHES		CHECKED		
TOLERANCES:		ENG APPR.		
FRACTIONAL \pm		MFG APPR.		
ANGULAR: MACH \pm BEND \pm		Q.A.		
TWO PLACE DECIMAL \pm		COMMENTS:		
THREE PLACE DECIMAL \pm				
INTERPRET GEOMETRIC TOLERANCING PER:				
MATERIAL				
FINISH				
NEXT ASSY	USED ON			
APPLICATION				
DO NOT SCALE DRAWING				

TITLE: Cinema 8 (On Wall)		
SIZE C	DWG. NO.	REV
SCALE: 1:5		WEIGHT:

4

3

2

1

D

D

C

C

B

B

A

A

4

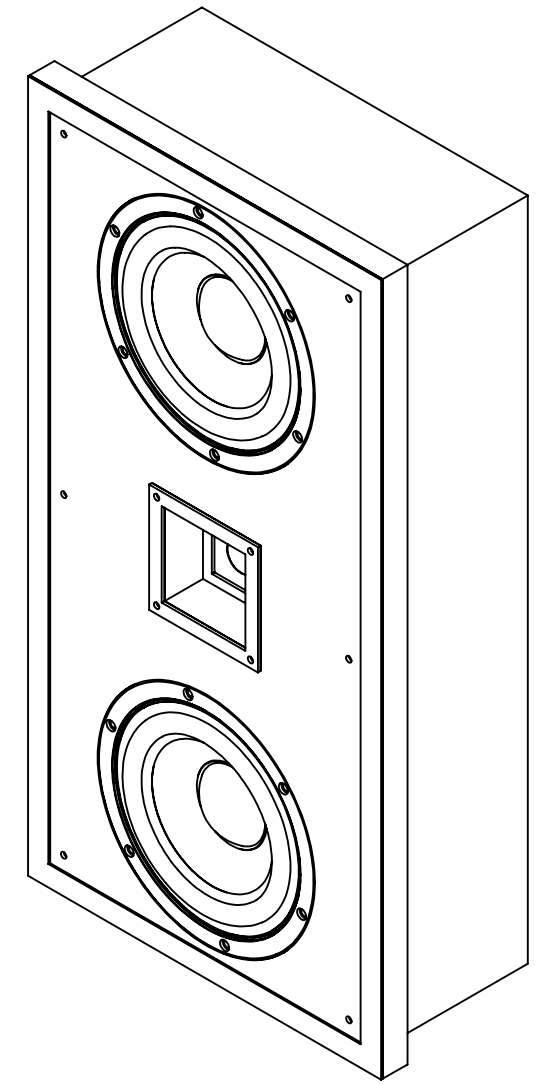
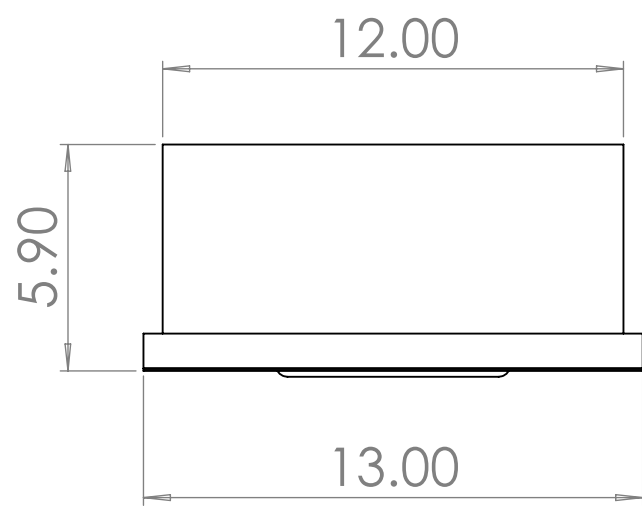
3

2

1

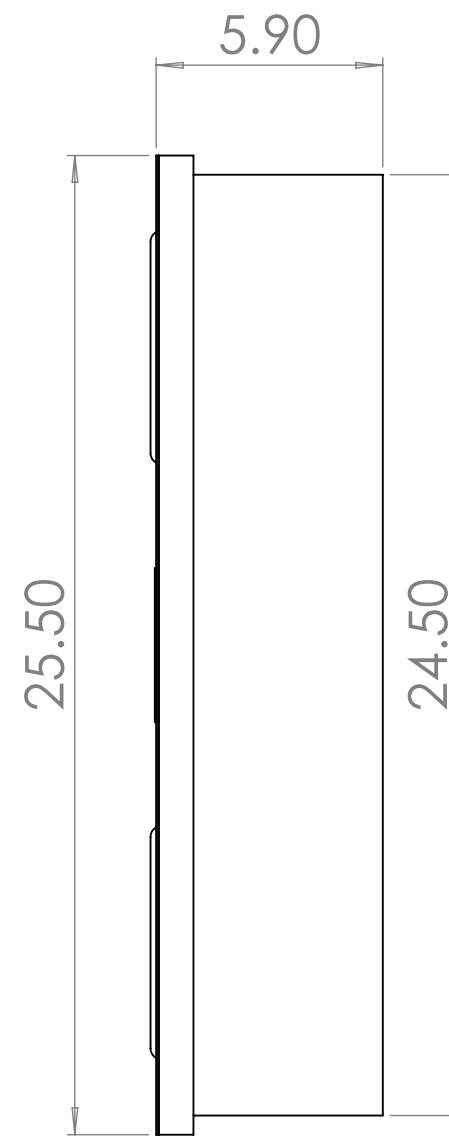
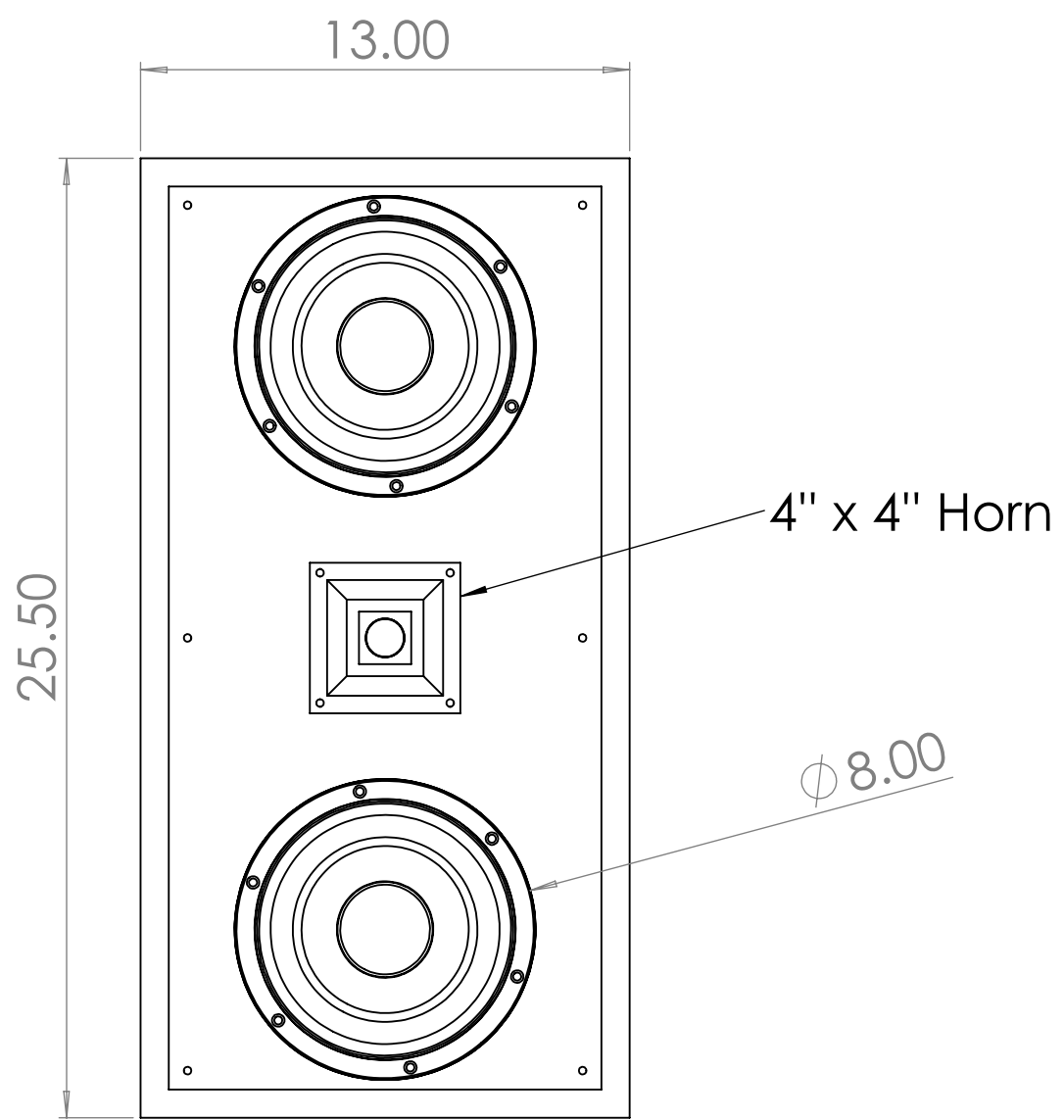
D

D



C

C



B

B

A

A

Note : There may be small variances in the dimensional measurements.



PROPRIETARY AND CONFIDENTIAL
 THE INFORMATION CONTAINED IN THIS DRAWING IS THE SOLE PROPERTY OF NEXT LEVEL ACOUSTICS. ANY REPRODUCTION IN PART OR AS A WHOLE WITHOUT THE WRITTEN PERMISSION OF NEXT LEVEL ACOUSTICS IS PROHIBITED.

UNLESS OTHERWISE SPECIFIED:		DRAWN	NAME	DATE
DIMENSIONS ARE IN INCHES		CHECKED		
TOLERANCES:		ENG APPR.		
FRACTIONAL ±		MFG APPR.		
ANGULAR: MACH ± BEND ±		Q.A.		
TWO PLACE DECIMAL ±		COMMENTS:		
THREE PLACE DECIMAL ±				
INTERPRET GEOMETRIC TOLERANCING PER:				
MATERIAL				
FINISH				
NEXT ASSY	USED ON			
APPLICATION				
DO NOT SCALE DRAWING				

TITLE: Cinema 8 (In Wall)		
SIZE	DWG. NO.	REV
C		
SCALE: 1:5		WEIGHT:

4

3

2

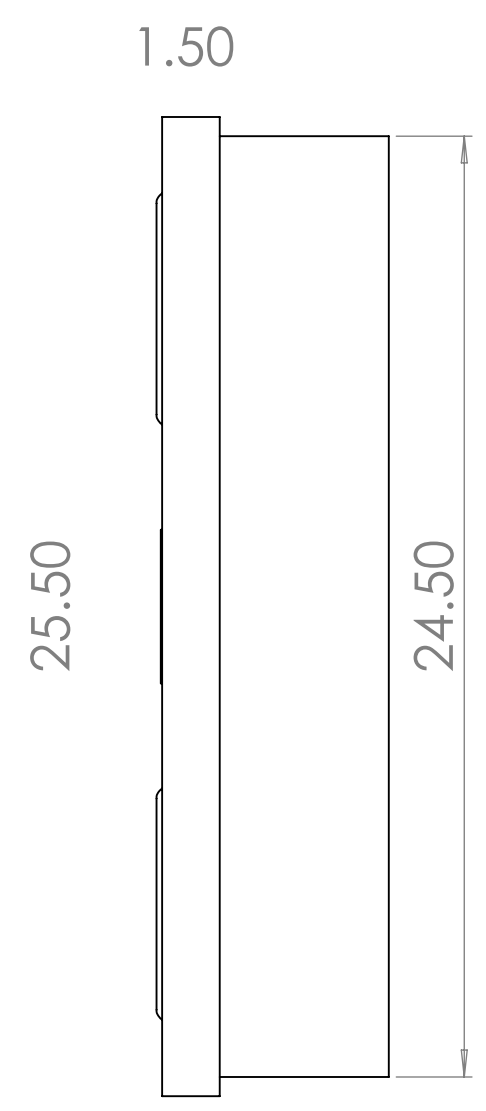
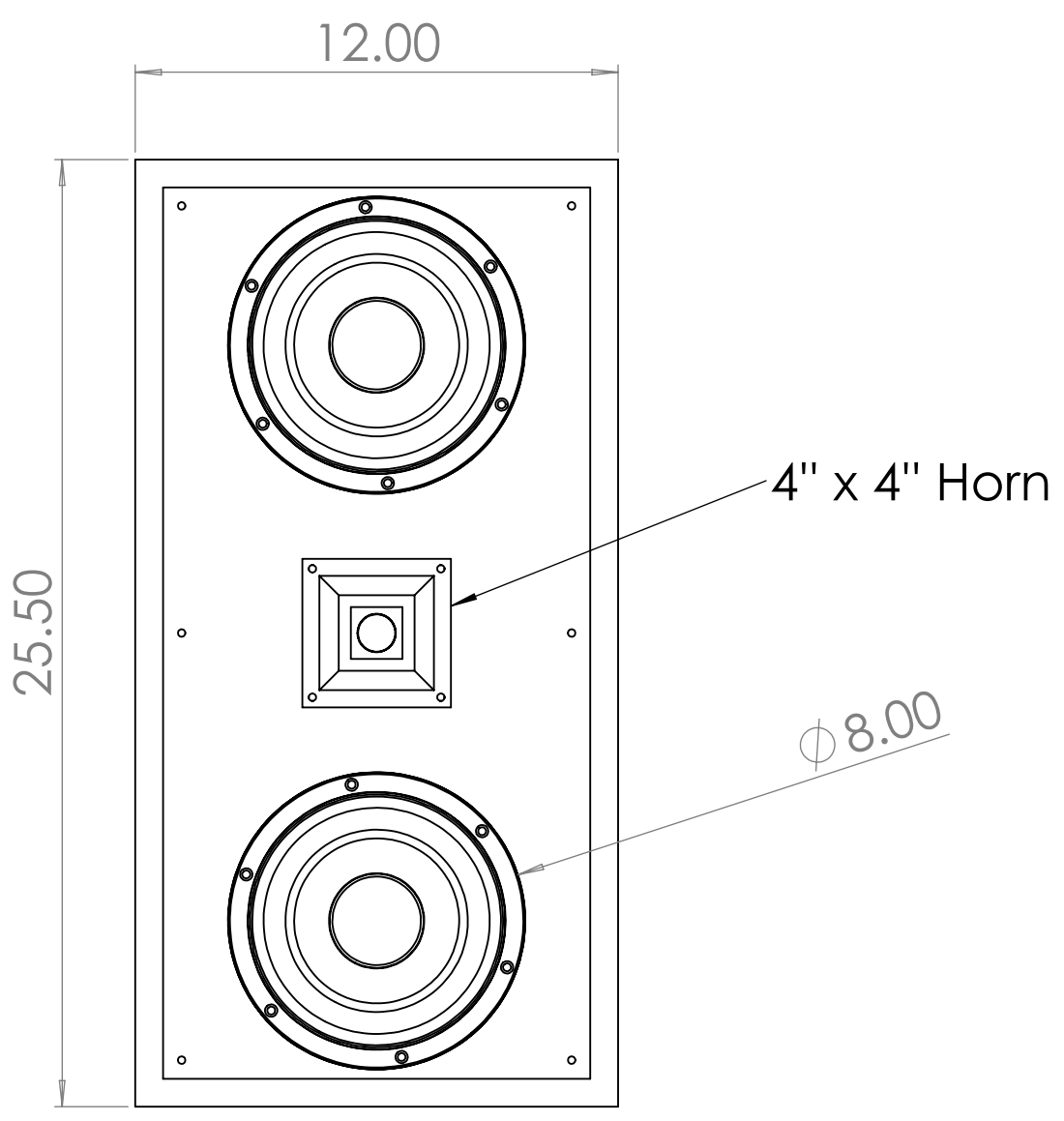
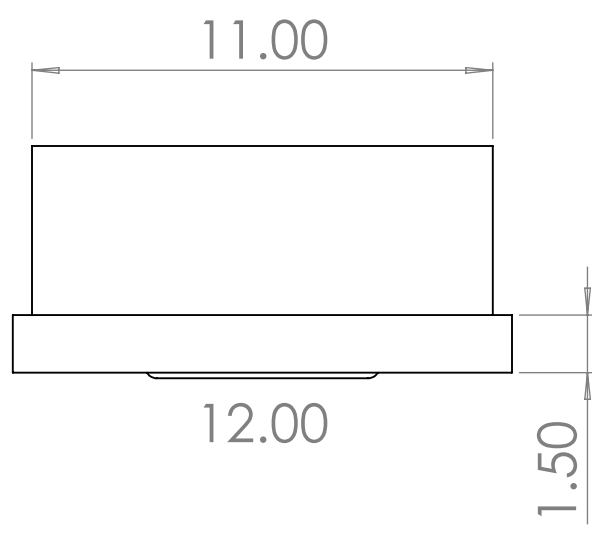
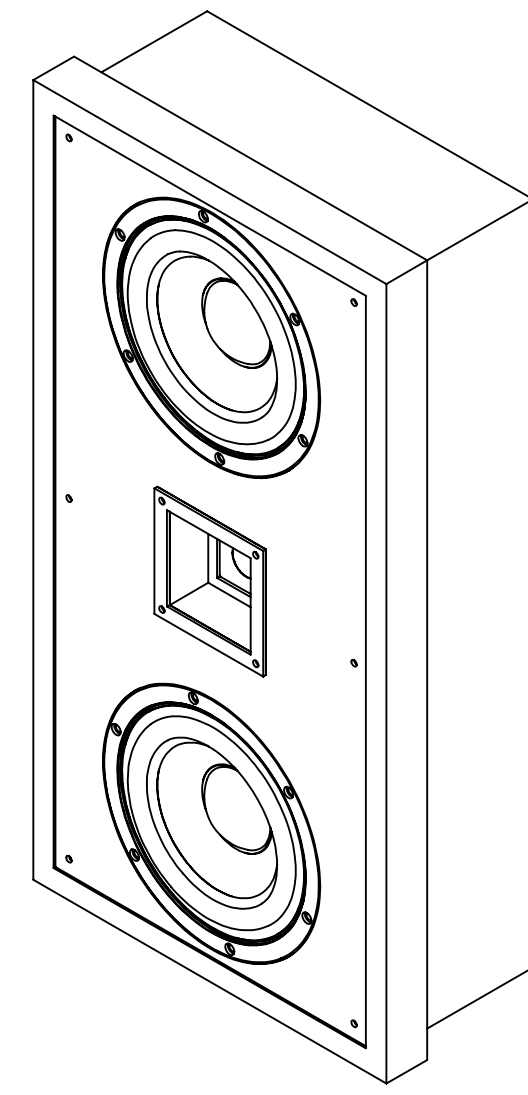
1

4

3

2

1



Fits 2x4 construction

Note : There may be small variances in the dimensional measurements.

UNLESS OTHERWISE SPECIFIED:		NAME	DATE
DIMENSIONS ARE IN INCHES		DRAWN	
TOLERANCES:		CHECKED	
FRACTIONAL ±		ENG APPR.	
ANGULAR: MACH ± BEND ±		MFG APPR.	
TWO PLACE DECIMAL ±		Q.A.	
THREE PLACE DECIMAL ±		COMMENTS:	
INTERPRET GEOMETRIC TOLERANCING PER:			
MATERIAL			
FINISH			
NEXT ASSY	USED ON		
APPLICATION			
DO NOT SCALE DRAWING			

TITLE: Cinema 8 (Partial In-Wall)		
SIZE	DWG. NO.	REV
C		
SCALE: 1:5		WEIGHT:

PROPRIETARY AND CONFIDENTIAL
THE INFORMATION CONTAINED IN THIS DRAWING IS THE SOLE PROPERTY OF NEXT LEVEL ACOUSTICS. ANY REPRODUCTION IN PART OR AS A WHOLE WITHOUT THE WRITTEN PERMISSION OF NEXT LEVEL ACOUSTICS IS PROHIBITED.



4

3

2

1

D

D

C

C

B

B

A

A