

4

3

2

1

D

D

C

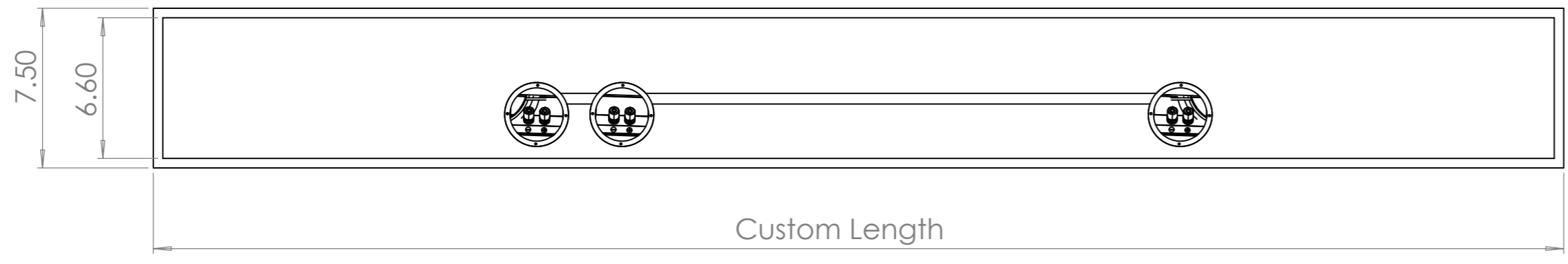
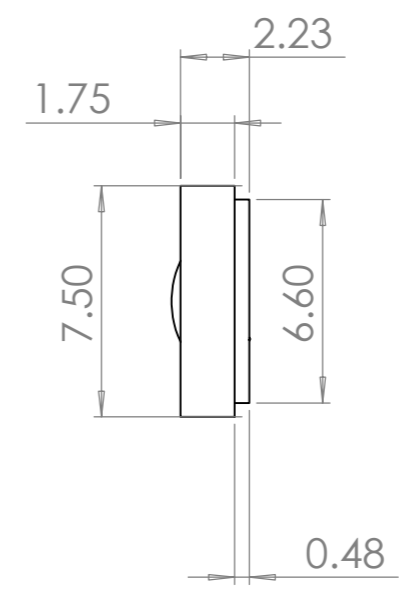
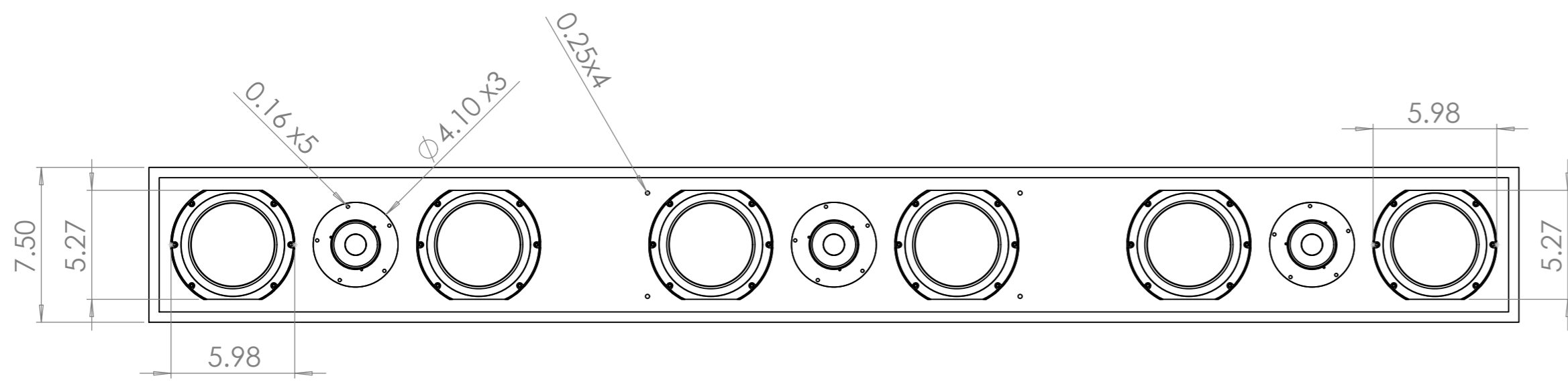
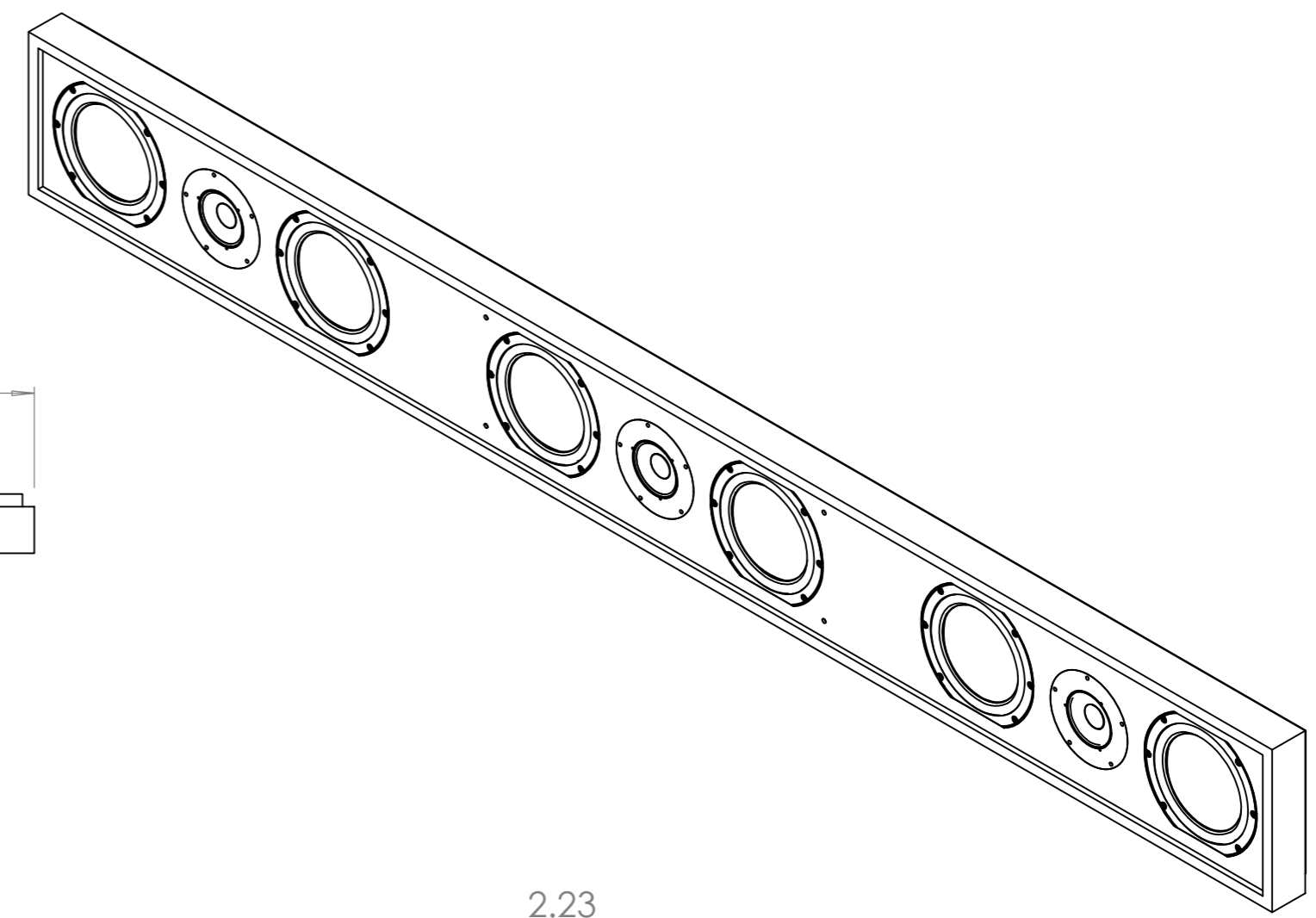
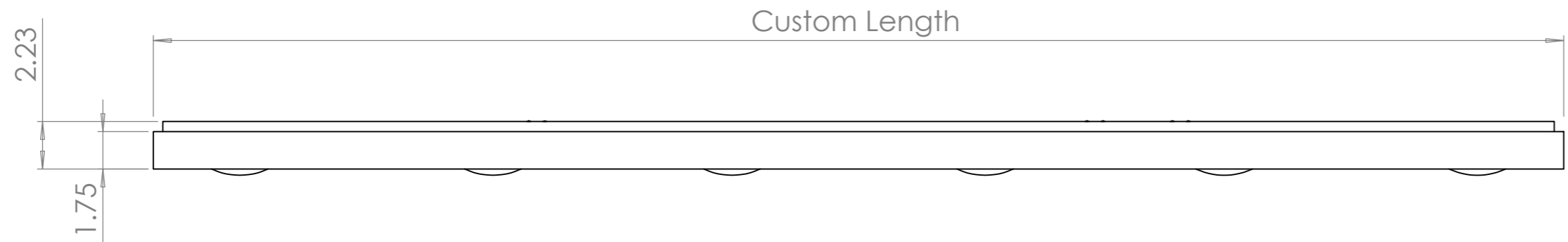
C

B

B

A

A



LCR Driver Configurations by Size	
65" Displays	TW WT WT
75" Displays	TW WTW WT
85"+ Displays	WTW, WTW, WTW

Note : There may be small variances in the dimensional measurements.

UNLESS OTHERWISE SPECIFIED:		NAME	DATE
DRAWN			
CHECKED			
ENG APPR.			
MFG APPR.			
Q.A.			
COMMENTS:			
FINISH			
APPLICATION	DO NOT SCALE DRAWING		

TITLE:		Fusion Frame Lux LCR-Through Wall	
SIZE	DWG. NO.	REV	
C			
SCALE: 1:6		WEIGHT:	

PROPRIETARY AND CONFIDENTIAL
 THE INFORMATION CONTAINED IN THIS DRAWING IS THE SOLE PROPERTY OF NEXT LEVEL ACOUSTICS. ANY REPRODUCTION IN PART OR AS A WHOLE WITHOUT THE WRITTEN PERMISSION OF NEXT LEVEL ACOUSTICS IS PROHIBITED.



4

3

2

1

D

D

C

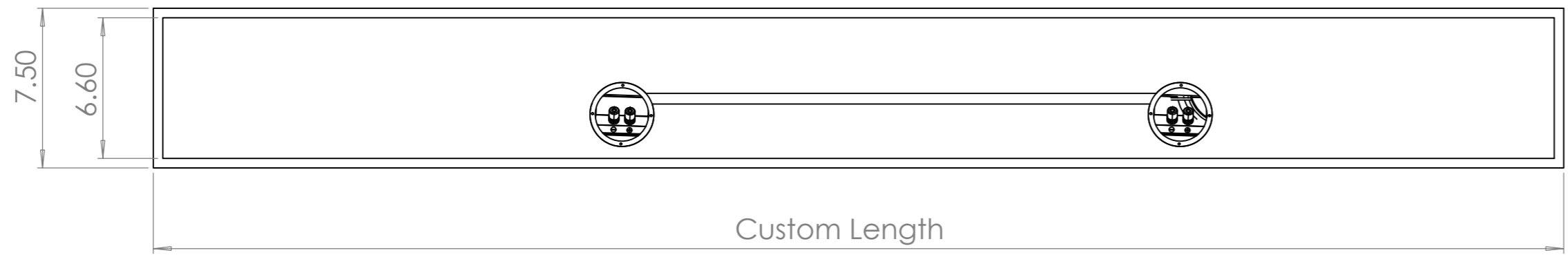
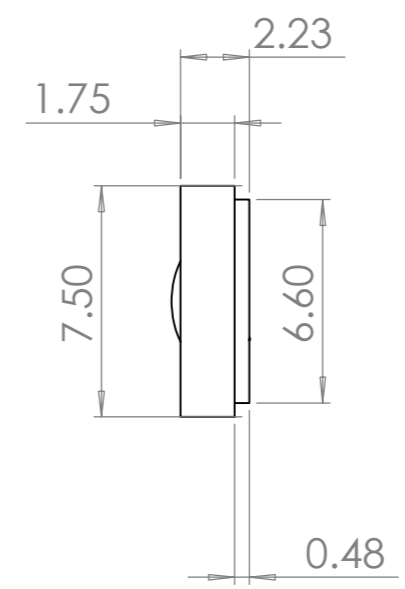
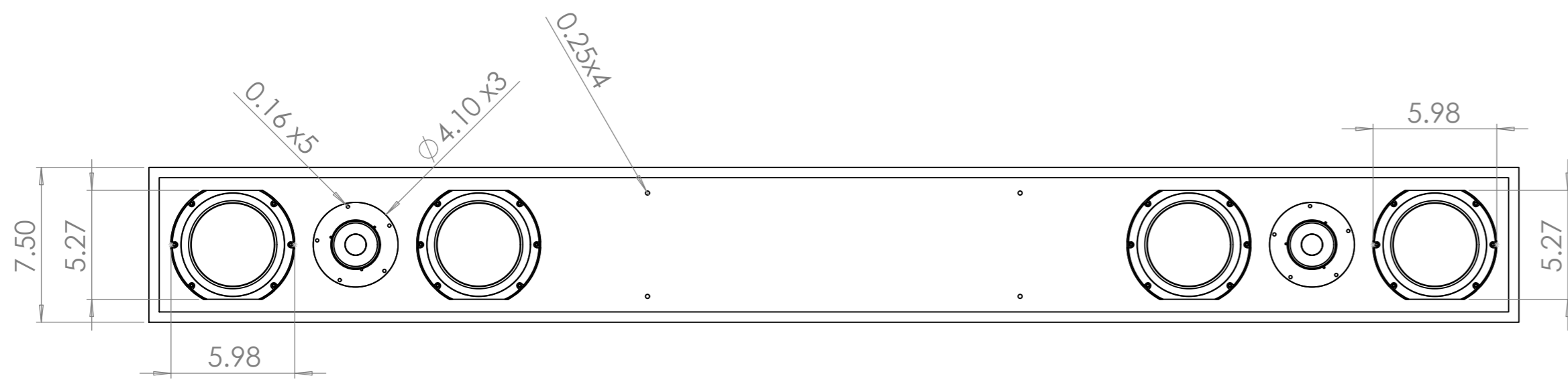
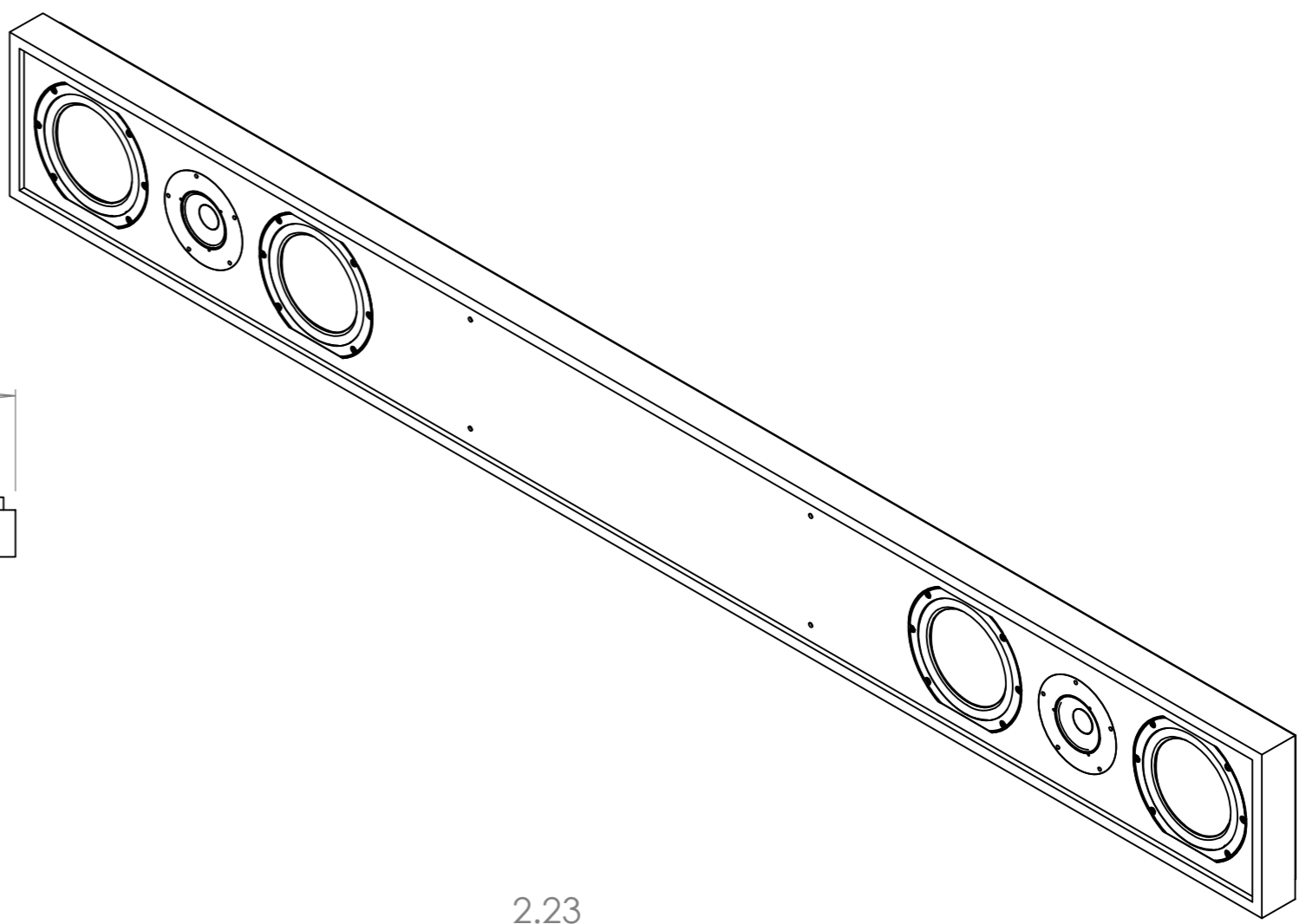
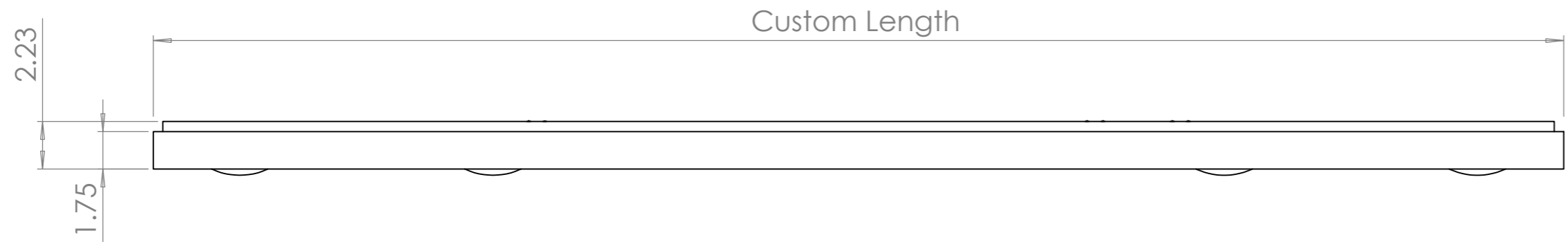
C

B

B

A

A



Stereo Driver Configuration by Size	
55" Displays TW, WT	
65"+ Displays WTW, WTW	

Note : There may be small variances in the dimensional measurements.

UNLESS OTHERWISE SPECIFIED:		NAME	DATE
DIMENSIONS ARE IN INCHES			
TOLERANCES:			
FRACTIONAL ±			
ANGULAR: MACH: BEND ±			
TWO PLACE DECIMAL ±			
THREE PLACE DECIMAL ±			
INTERPRET GEOMETRIC TOLERANCING PER:			
MATERIAL			
FINISH			
NEXT ASSY	USED ON		
APPLICATION	DO NOT SCALE DRAWING		

TITLE:	
Fusion Frame Lux Stereo-Through Wall	
SIZE	DWG. NO.
C	
SCALE: 1:6	WEIGHT:
REV	

PROPRIETARY AND CONFIDENTIAL
 THE INFORMATION CONTAINED IN THIS DRAWING IS THE SOLE PROPERTY OF NEXT LEVEL ACOUSTICS.
 ANY REPRODUCTION IN PART OR AS A WHOLE WITHOUT THE WRITTEN PERMISSION OF NEXT LEVEL ACOUSTICS IS PROHIBITED.

