

4

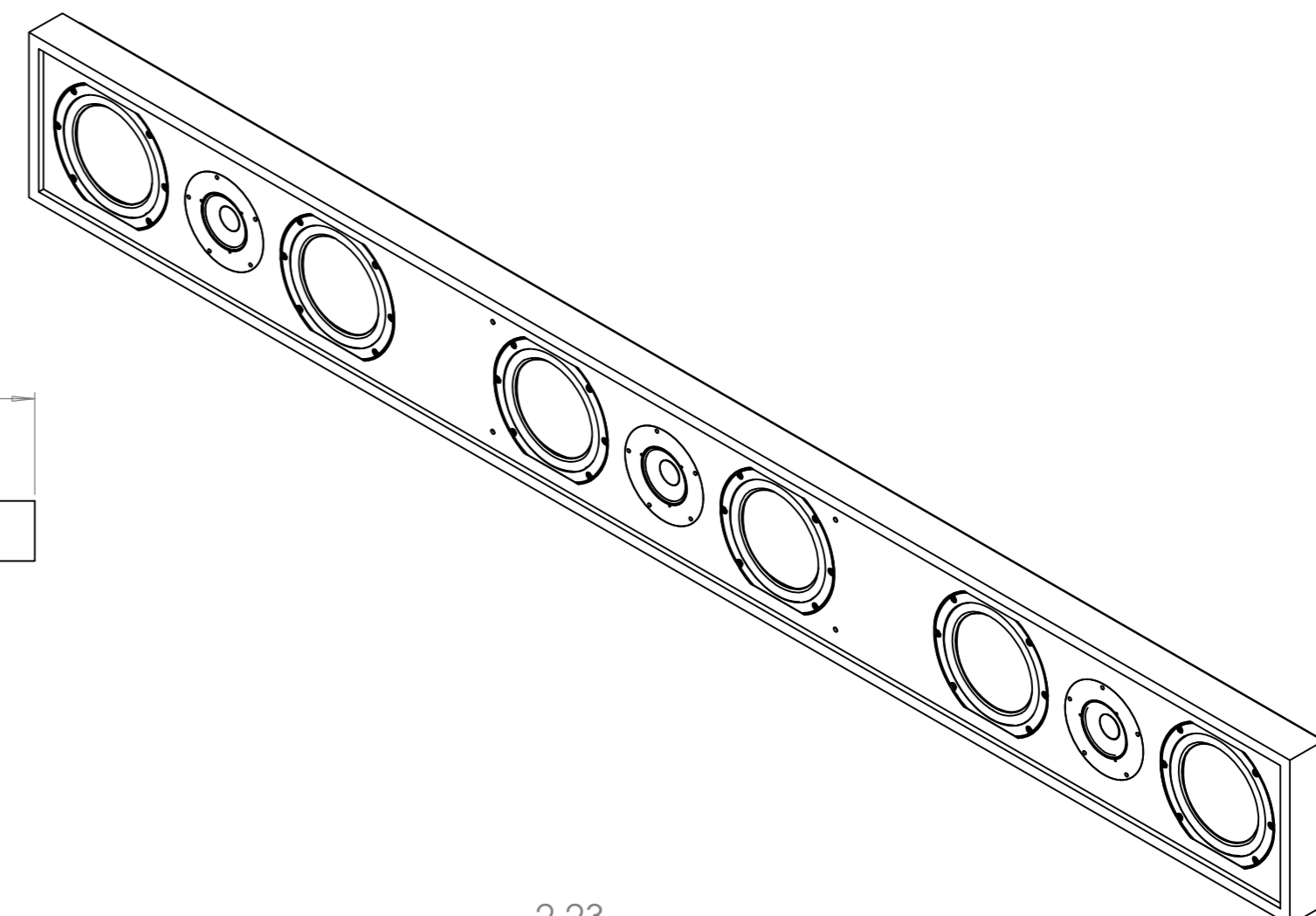
3

2

1

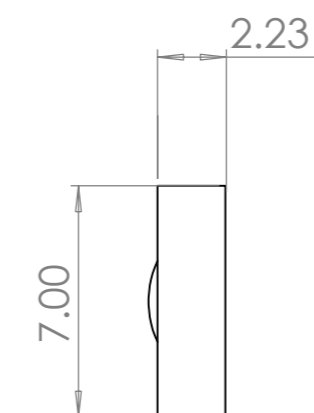
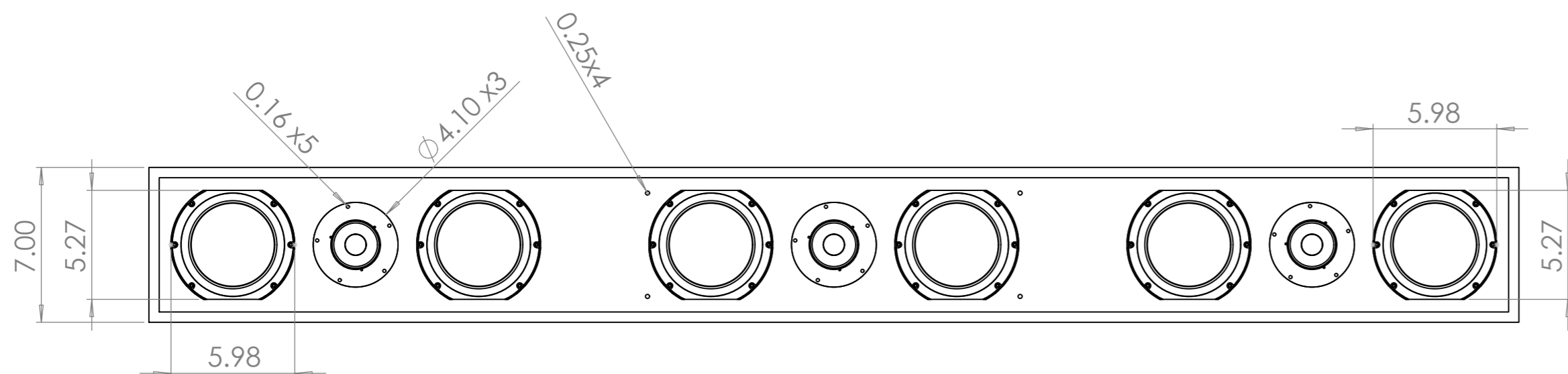
D

D



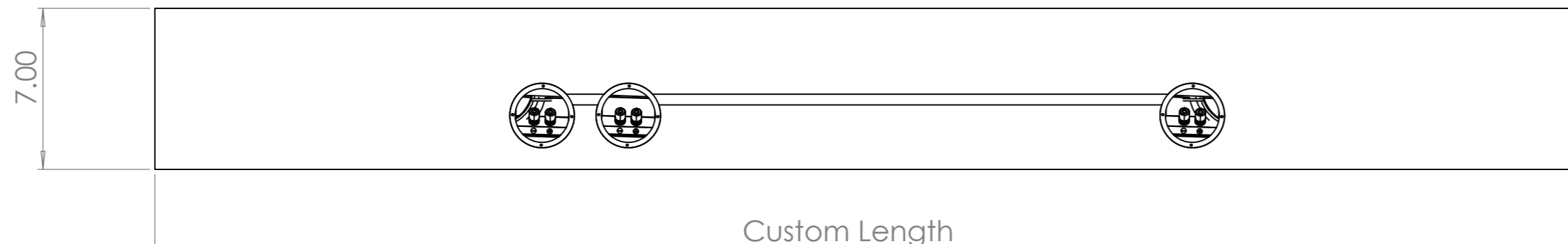
C

C



B

B



A

A



**PROPRIETARY AND CONFIDENTIAL**  
 THE INFORMATION CONTAINED IN THIS DRAWING IS THE SOLE PROPERTY OF NEXT LEVEL ACOUSTICS. ANY REPRODUCTION IN PART OR AS A WHOLE WITHOUT THE WRITTEN PERMISSION OF NEXT LEVEL ACOUSTICS IS PROHIBITED.

LCR Driver Configurations by Size	
65" Displays	TW WT WT
75" Displays	TW WTW WT
85"+ Displays	WTW, WTW, WTW

Note : There may be small variances in the dimensional measurements.

UNLESS OTHERWISE SPECIFIED:		NAME	DATE
DIMENSIONS ARE IN INCHES	DRAWN		
TOLERANCES:	CHECKED		
FRACTIONAL ±	ENG APPR.		
ANGULAR: MACH: BEND ±	MFG APPR.		
TWO PLACE DECIMAL ±	Q.A.		
THREE PLACE DECIMAL ±	COMMENTS:		
INTERPRET GEOMETRIC TOLERANCING PER:			
MATERIAL			
FINISH			
APPLICATION	DO NOT SCALE DRAWING		

TITLE:  
**Fusion Frame Lux LCR**

SIZE DWG. NO. REV  
**C**  
 SCALE: 1:6 WEIGHT:

4

3

2

1

D

D

C

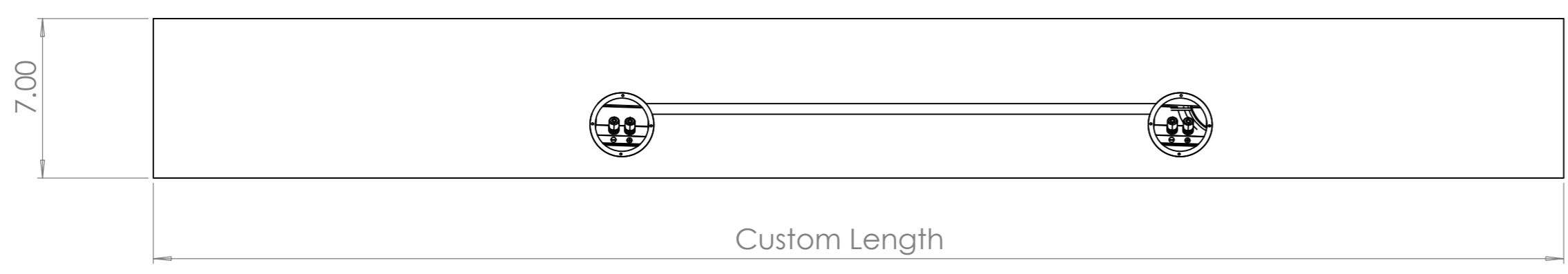
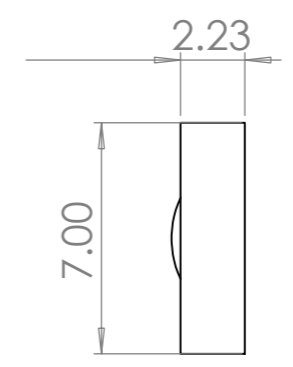
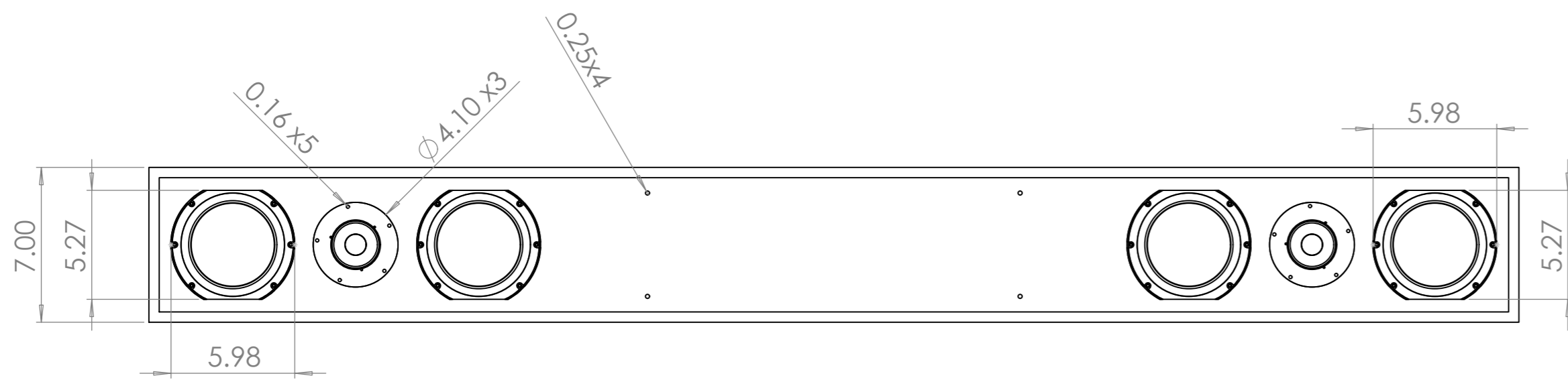
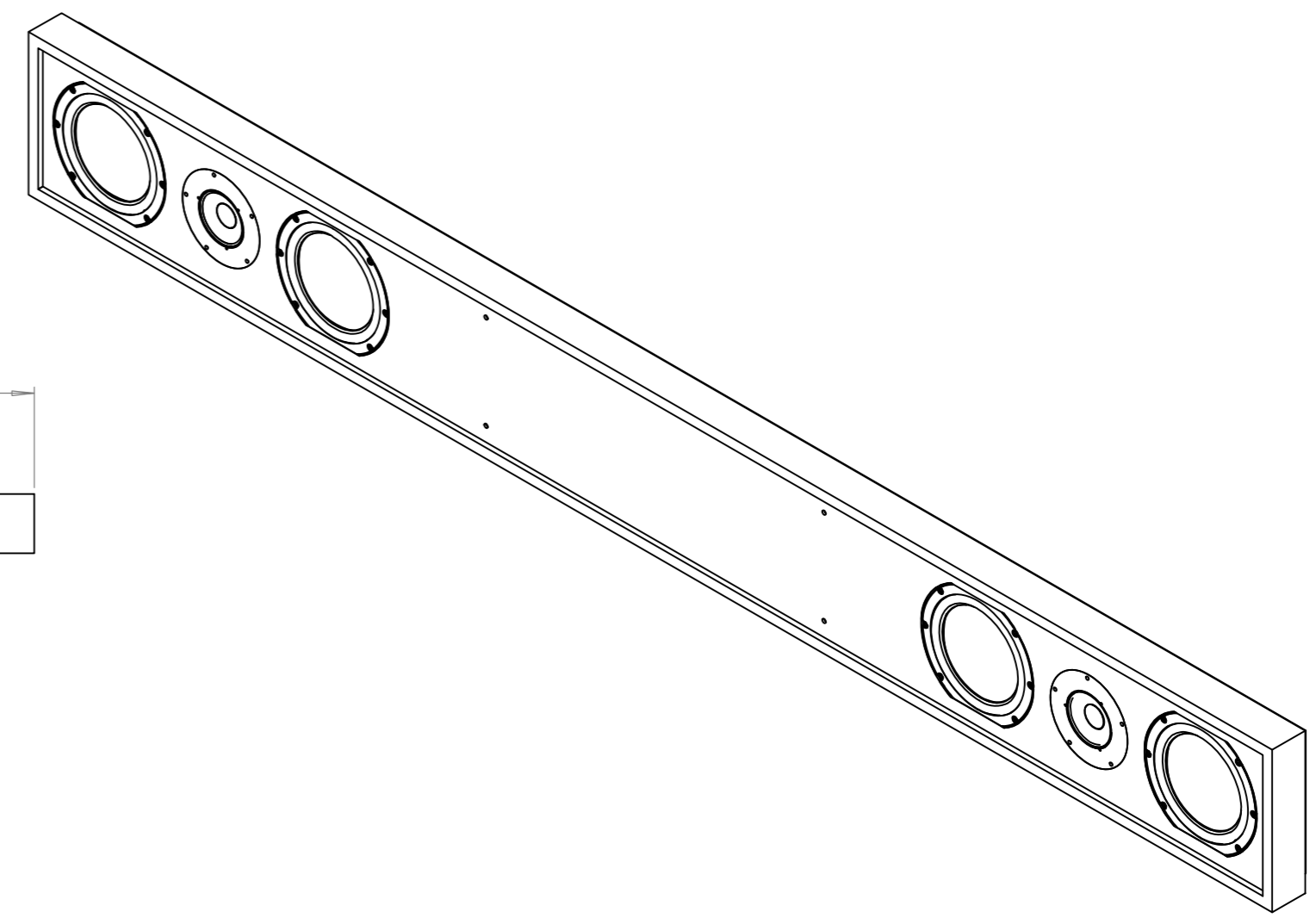
C

B

B

A

A



Stereo Driver Configuration by Size	
55" Displays TW, WT	
65"+ Displays WTW, WTW	

Note : There may be small variances in the dimensional measurements.

		UNLESS OTHERWISE SPECIFIED:	NAME	DATE
		DIMENSIONS ARE IN INCHES	DRAWN	
		TOLERANCES:	CHECKED	
		FRACTIONAL ±	ENG APPR.	
		ANGULAR: MACH ± BEND ±	MFG APPR.	
		TWO PLACE DECIMAL ±	Q.A.	
		THREE PLACE DECIMAL ±	COMMENTS:	
		INTERPRET GEOMETRIC TOLERANCING PER:		
		MATERIAL		
		FINISH		
NEXT ASSY	USED ON			
		APPLICATION		
		DO NOT SCALE DRAWING		

TITLE: Fusion Frame Lux Stereo		
SIZE	DWG. NO.	REV
C		
SCALE: 1:6 WEIGHT:		

**PROPRIETARY AND CONFIDENTIAL**  
THE INFORMATION CONTAINED IN THIS DRAWING IS THE SOLE PROPERTY OF NEXT LEVEL ACOUSTICS. ANY REPRODUCTION IN PART OR AS A WHOLE WITHOUT THE WRITTEN PERMISSION OF NEXT LEVEL ACOUSTICS IS PROHIBITED.

