

4

3

2

1

D

D

C

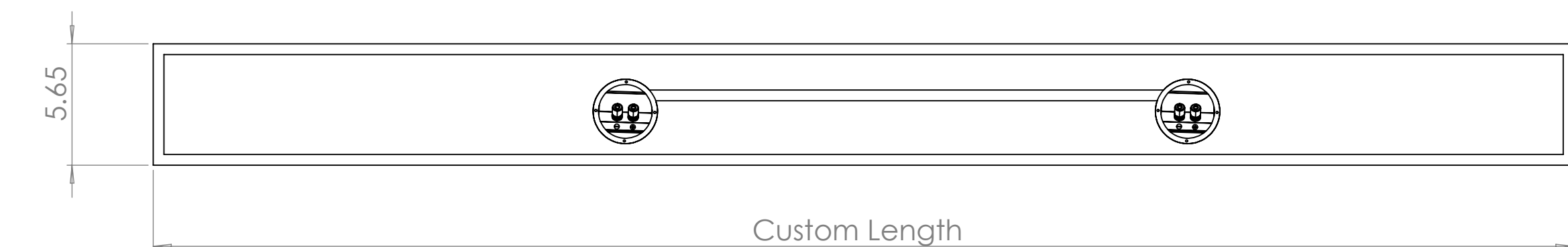
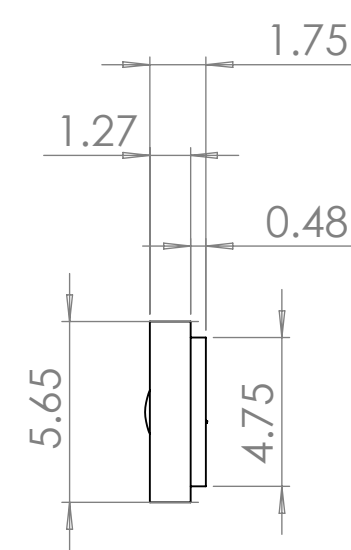
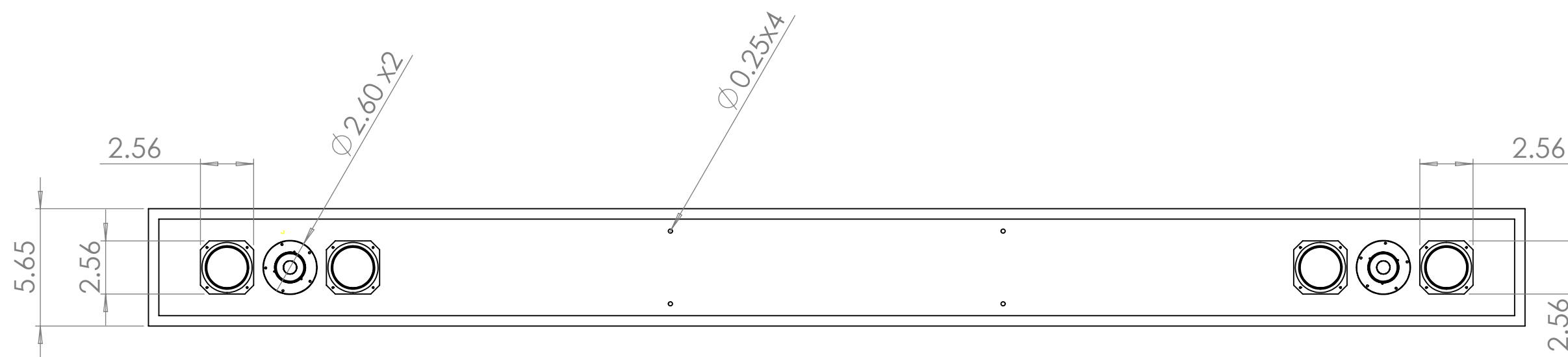
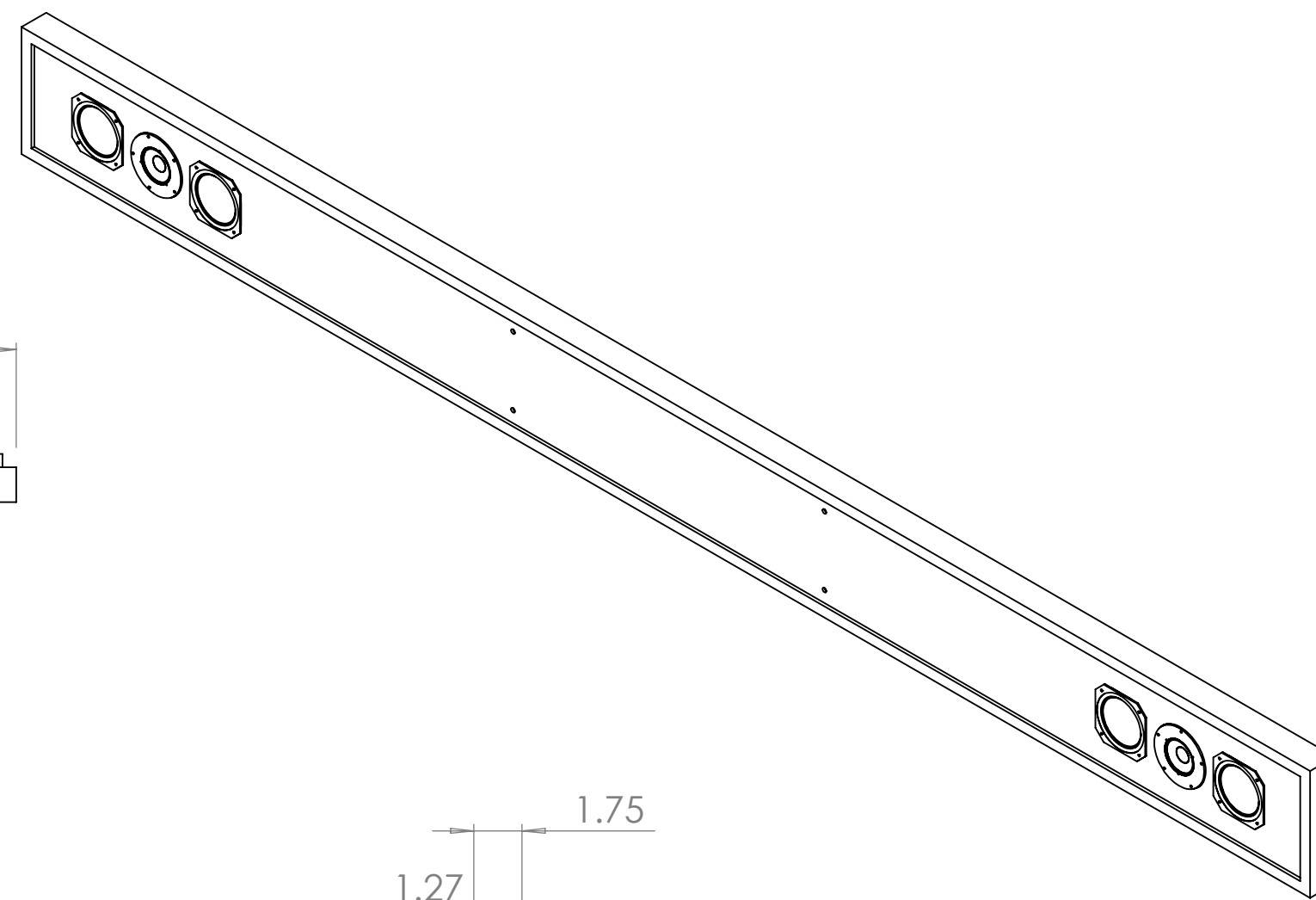
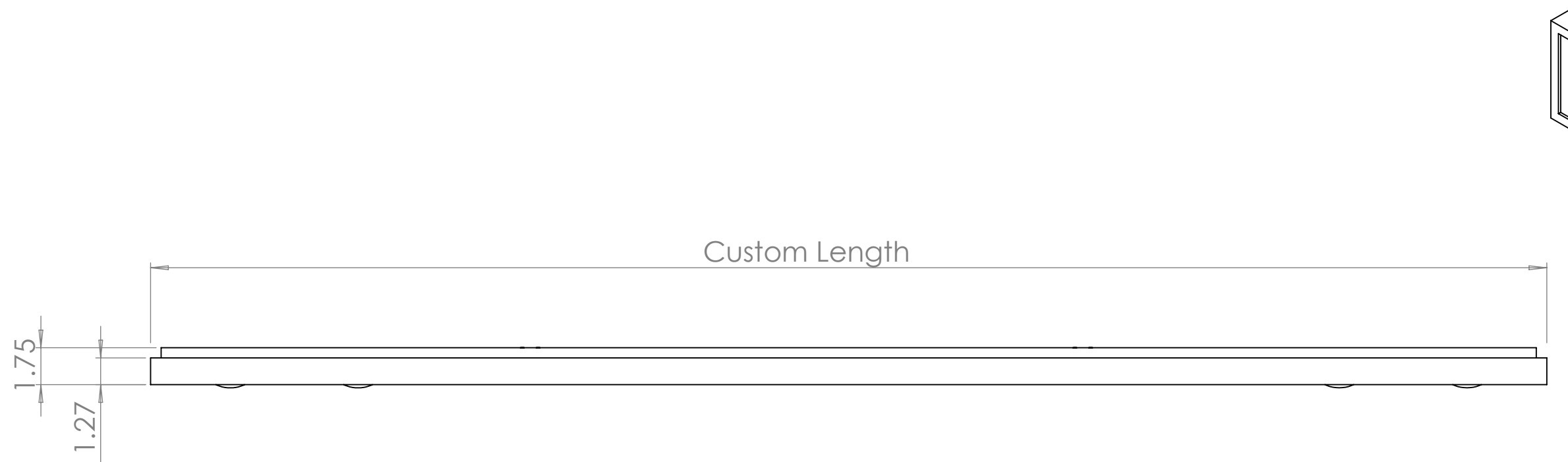
C

B

B

A

A



Note:
While the rest of the specifications are the same,
the length of the soundbar is model dependent,
denoted in the table below:

Model	Frame Length (Black)	Frame Length (Frame Colors)
Fusion Frame 2.0 55" Stereo	48.7"	48.9"
Fusion Frame 2.0 65" Stereo	57.4"	57.6"
Fusion Frame 2.0 75" Stereo	66.2"	66.4"
Fusion Frame 2.0 85" Stereo	75.0"	75.2"

Note : There may be small variances in the dimensional measurements.



PROPRIETARY AND CONFIDENTIAL
THE INFORMATION CONTAINED IN THIS DRAWING IS THE SOLE PROPERTY OF NEXT LEVEL ACOUSTICS. ANY REPRODUCTION IN PART OR AS A WHOLE WITHOUT THE WRITTEN PERMISSION OF NEXT LEVEL ACOUSTICS IS PROHIBITED.

UNLESS OTHERWISE SPECIFIED:		NAME	DATE
DIMENSIONS ARE IN INCHES		DRAWN	
TOLERANCES:		CHECKED	
FRACTIONAL ±		ENG APPR.	
ANGULAR: MACH ± BEND ±		MFG APPR.	
TWO PLACE DECIMAL ±		Q.A.	
THREE PLACE DECIMAL ±		COMMENTS:	
INTERPRET GEOMETRIC TOLERANCING PER:			
MATERIAL			
FINISH			
NEXT ASSY	USED ON		
APPLICATION			
DO NOT SCALE DRAWING			

TITLE:
Fusion Frame 2.0 Stereo-Through Wall

SIZE DWG. NO. REV
C
SCALE: 1:6

4

3

2

1

D

D

C

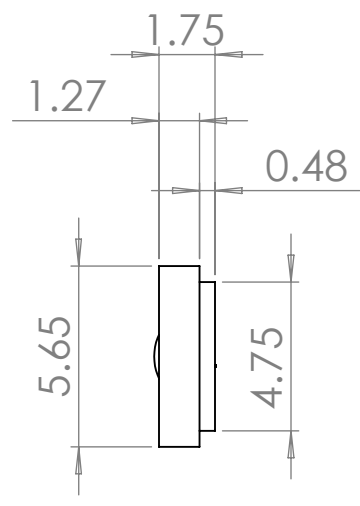
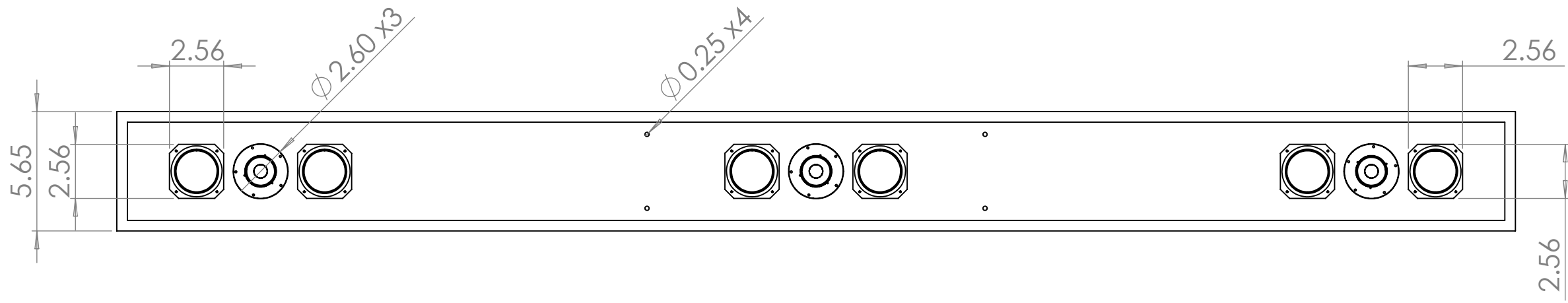
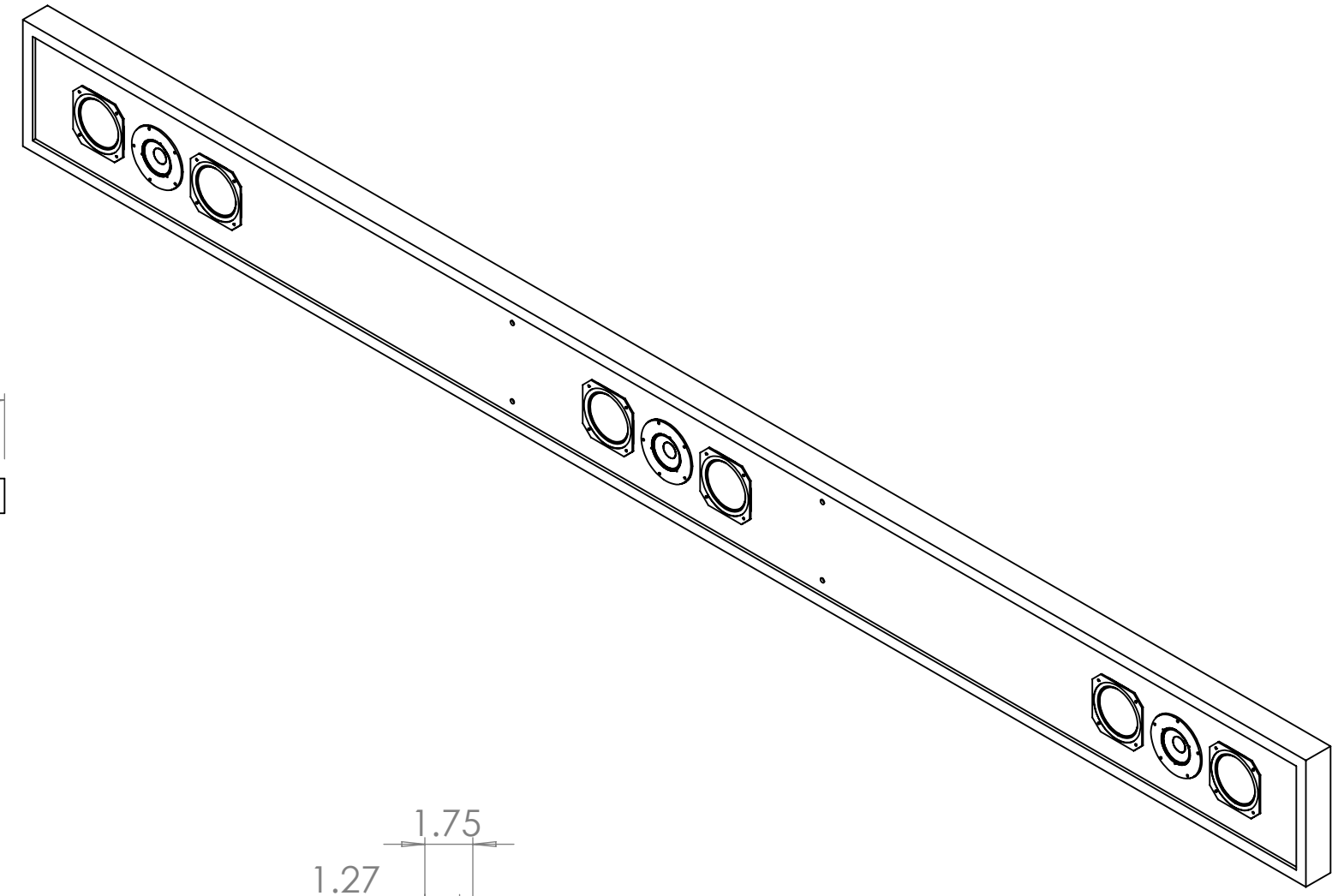
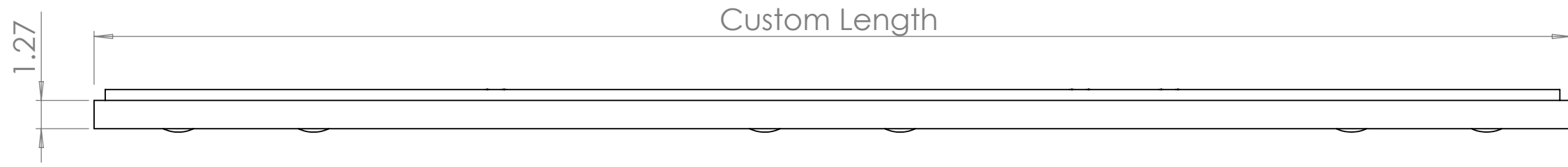
C

B

B

A

A



Note:
While the rest of the specifications are the same, the length of the soundbar is model dependent, denoted in the table below:

Model	Frame Length (Black)	Frame Length (Frame Colors)
Fusion Frame 2.0 55" Stereo	48.7"	48.9"
Fusion Frame 2.0 65" Stereo	57.4"	57.6"
Fusion Frame 2.0 75" Stereo	66.2"	66.4"
Fusion Frame 2.0 85" Stereo	75.0"	75.2"

Note : There may be small variances in the dimensional measurements.



PROPRIETARY AND CONFIDENTIAL
THE INFORMATION CONTAINED IN THIS DRAWING IS THE SOLE PROPERTY OF NEXT LEVEL ACOUSTICS. ANY REPRODUCTION IN PART OR AS A WHOLE WITHOUT THE WRITTEN PERMISSION OF NEXT LEVEL ACOUSTICS IS PROHIBITED.

UNLESS OTHERWISE SPECIFIED:		DRAWN	NAME	DATE	TITLE: Fusion Frame 2.0 LCR-Through Wall
DIMENSIONS ARE IN INCHES		CHECKED			
TOLERANCES:		ENG APPR.			
FRACTIONAL ±		MFG APPR.			
ANGULAR: MACH ± BEND ±		Q.A.			SIZE DWG. NO.
TWO PLACE DECIMAL ±		COMMENTS:			REV
THREE PLACE DECIMAL ±					SCALE: 1:6
INTERPRET GEOMETRIC TOLERANCING PER:					
MATERIAL					
FINISH					
NEXT ASSY	USED ON				
APPLICATION					
DO NOT SCALE DRAWING					

4

3

2

1