

4

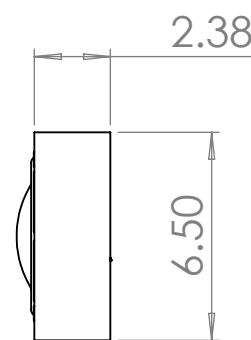
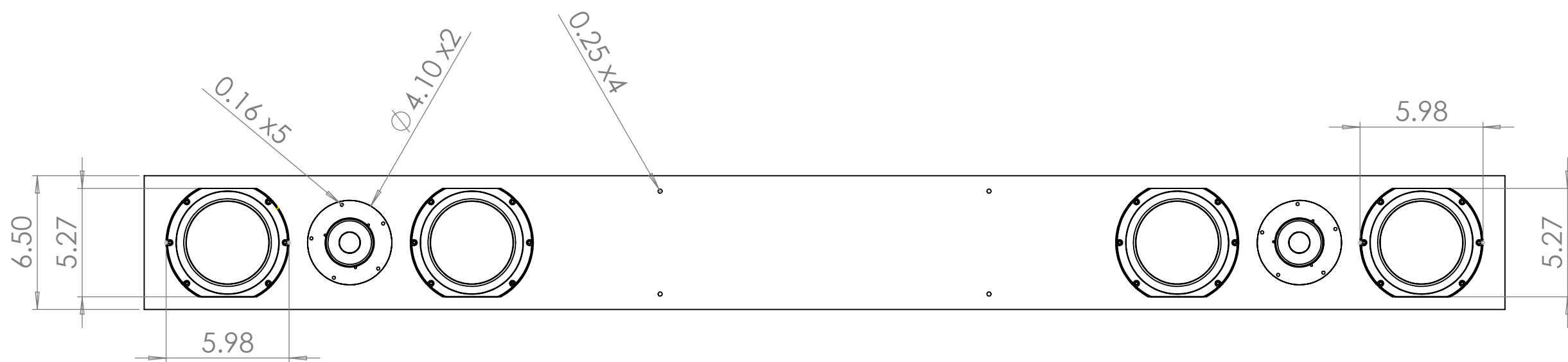
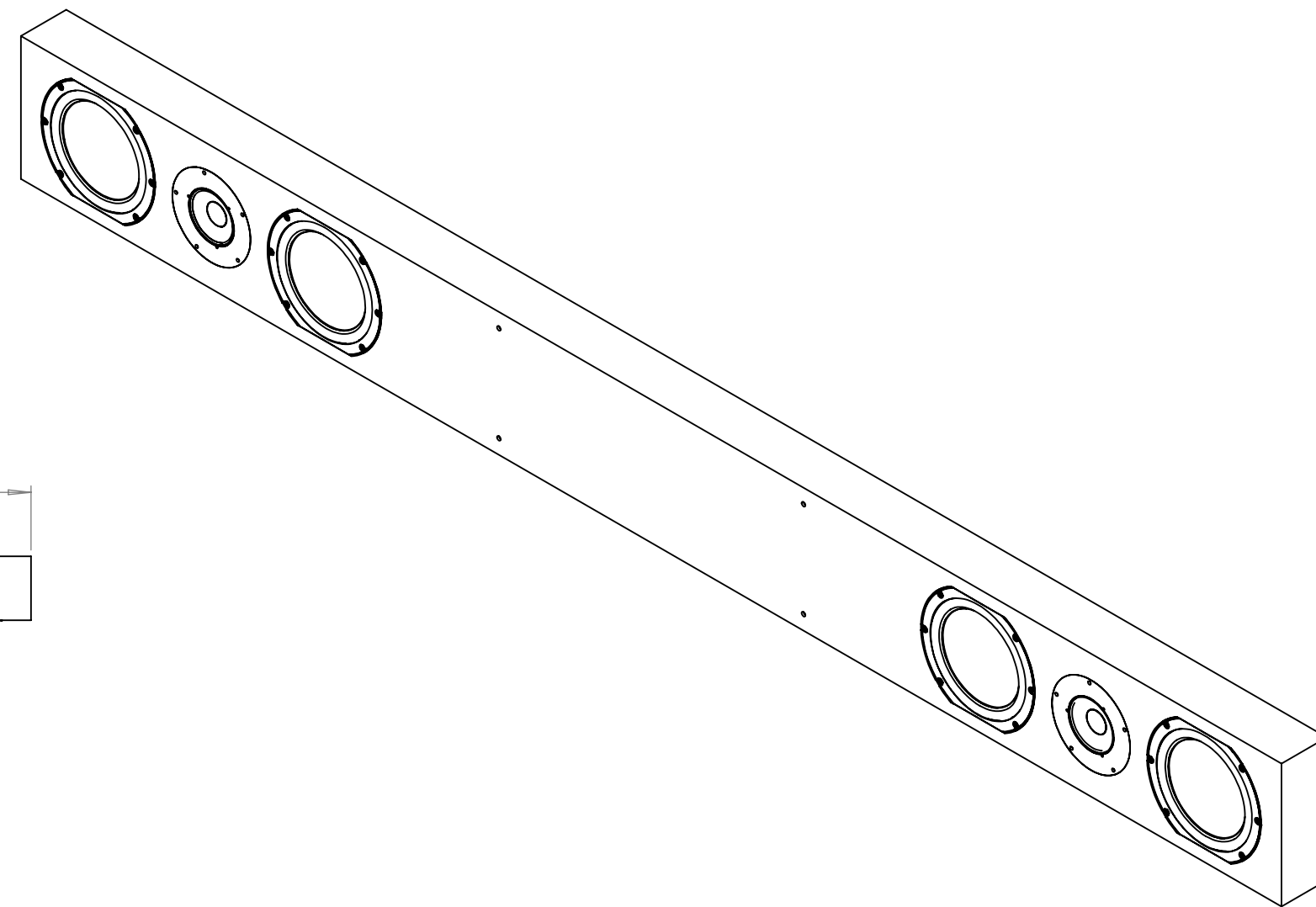
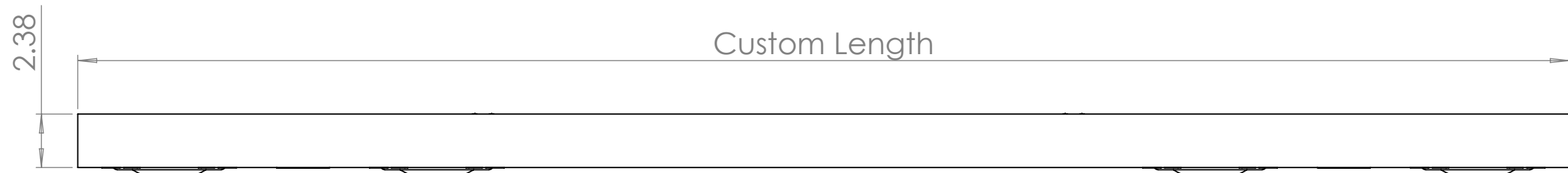
3

2

1

D

D

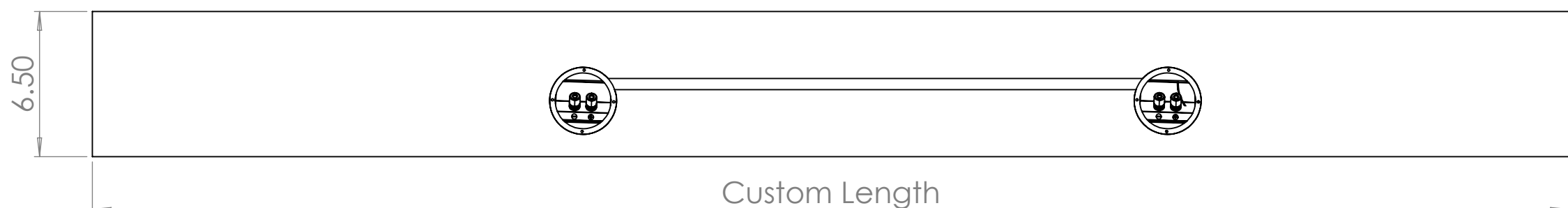


C

C

B

B



Stereo Driver Configuration by Size	
55" Displays TW, WT	
65"+ Displays WTW, WTW	

Note : There may be small variances in the dimensional measurements.

UNLESS OTHERWISE SPECIFIED:		NAME	DATE
DIMENSIONS ARE IN INCHES		DRAWN	
TOLERANCES:		CHECKED	
FRACTIONAL ±		ENG APPR.	
ANGULAR: MACH ± BEND ±		MFG APPR.	
TWO PLACE DECIMAL ±		Q.A.	
THREE PLACE DECIMAL ±		COMMENTS:	
INTERPRET GEOMETRIC TOLERANCING PER:			
MATERIAL			
FINISH			
NEXT ASSY	USED ON		
APPLICATION			
DO NOT SCALE DRAWING			

TITLE: Fusion Flat Lux Stereo

SIZE DWG. NO. REV

SCALE: 1:6 WEIGHT:



PROPRIETARY AND CONFIDENTIAL
 THE INFORMATION CONTAINED IN THIS DRAWING IS THE SOLE PROPERTY OF NEXT LEVEL ACOUSTICS. ANY REPRODUCTION IN PART OR AS A WHOLE WITHOUT THE WRITTEN PERMISSION OF NEXT LEVEL ACOUSTICS IS PROHIBITED.

4

3

2

1

A

A

4

3

2

1

D

D

C

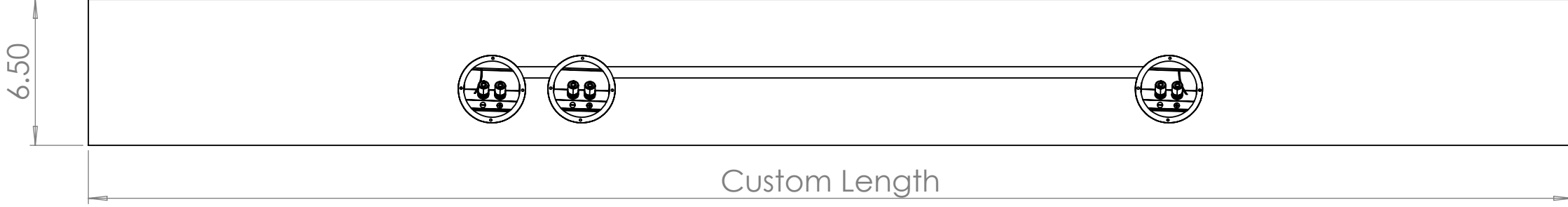
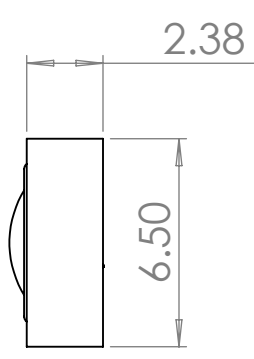
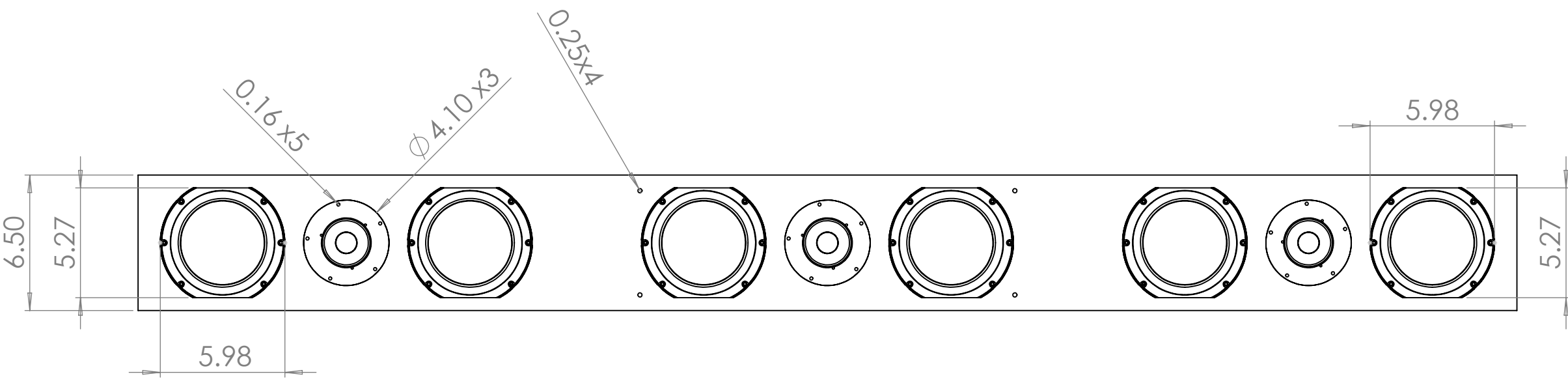
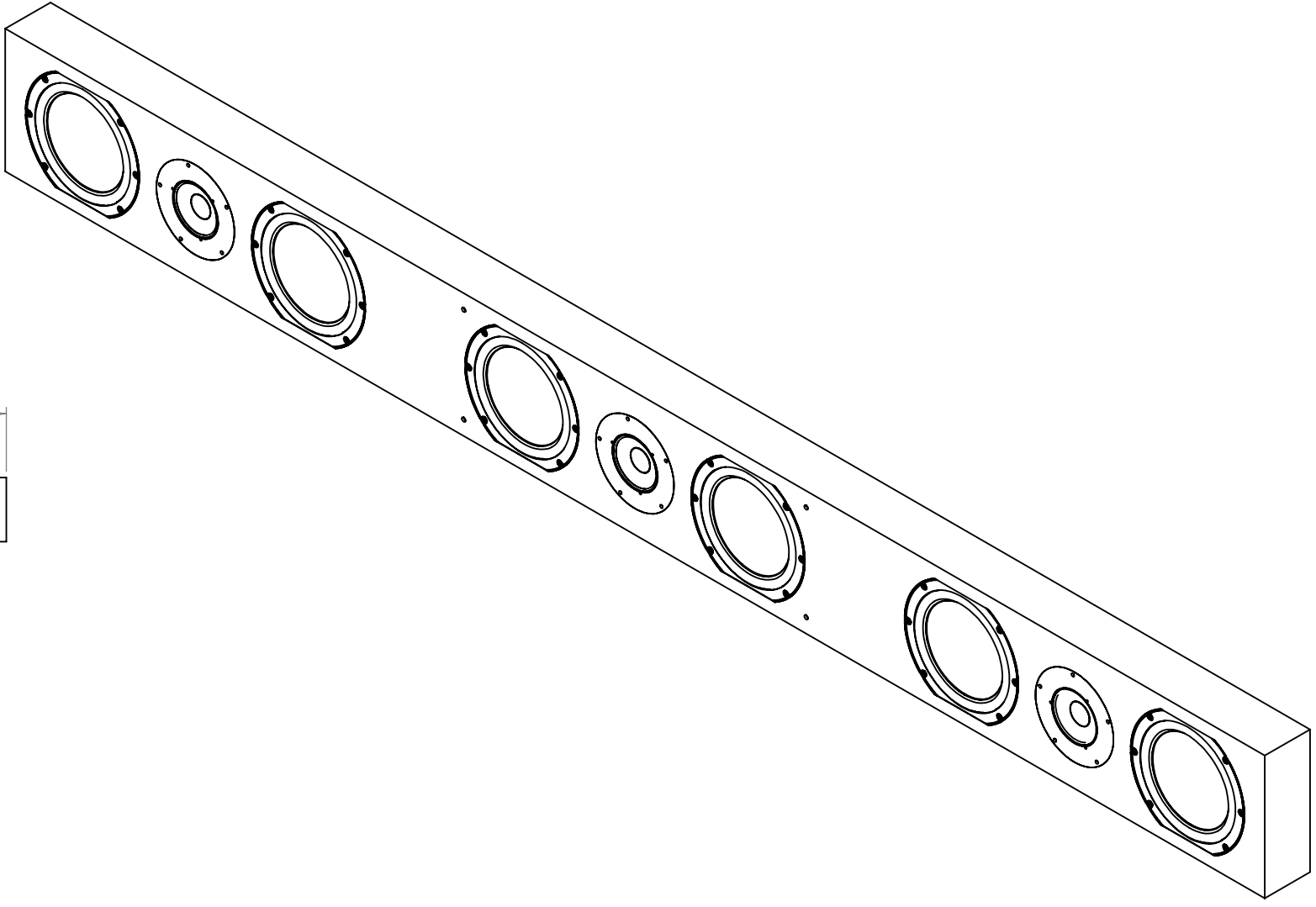
C

B

B

A

A



LCR Driver Configurations by Size	
65" Displays	TW WT WT
75" Displays	TW WTW WT
85"+ Displays	WTW, WTW, WTW

Note : There may be small variances in the dimensional measurements.



PROPRIETARY AND CONFIDENTIAL
 THE INFORMATION CONTAINED IN THIS DRAWING IS THE SOLE PROPERTY OF NEXT LEVEL ACOUSTICS. ANY REPRODUCTION IN PART OR AS A WHOLE WITHOUT THE WRITTEN PERMISSION OF NEXT LEVEL ACOUSTICS IS PROHIBITED.

UNLESS OTHERWISE SPECIFIED:		DRAWN	NAME	DATE	TITLE: Fusion Flat Lux LCR
DIMENSIONS ARE IN INCHES		CHECKED			
TOLERANCES:		ENG APPR.			
FRACTIONAL ±		MFG APPR.			
ANGULAR: MACH ± BEND ±		Q.A.			SIZE DWG. NO. REV
TWO PLACE DECIMAL ±		COMMENTS:			
THREE PLACE DECIMAL ±					SCALE: 1:6 WEIGHT:
INTERPRET GEOMETRIC TOLERANCING PER:	MATERIAL	FINISH			
APPLICATION	DO NOT SCALE DRAWING				

4

3

2

1