

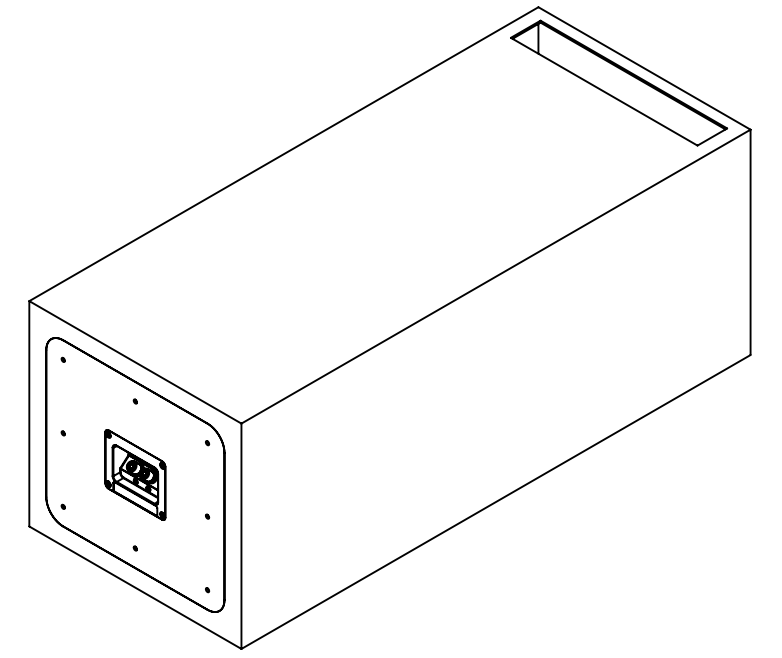
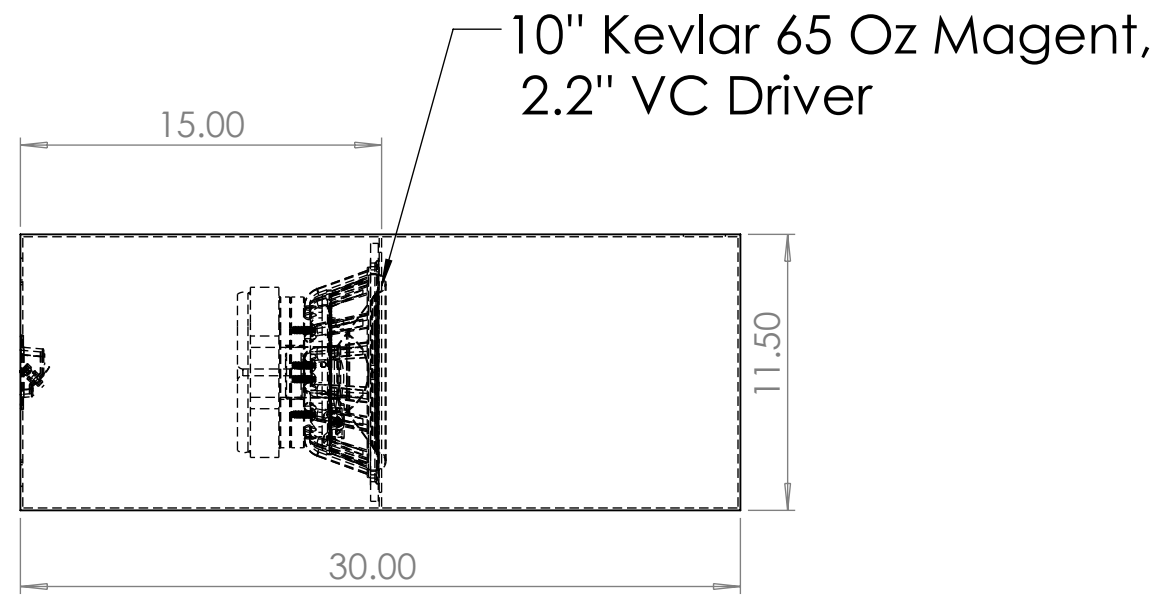
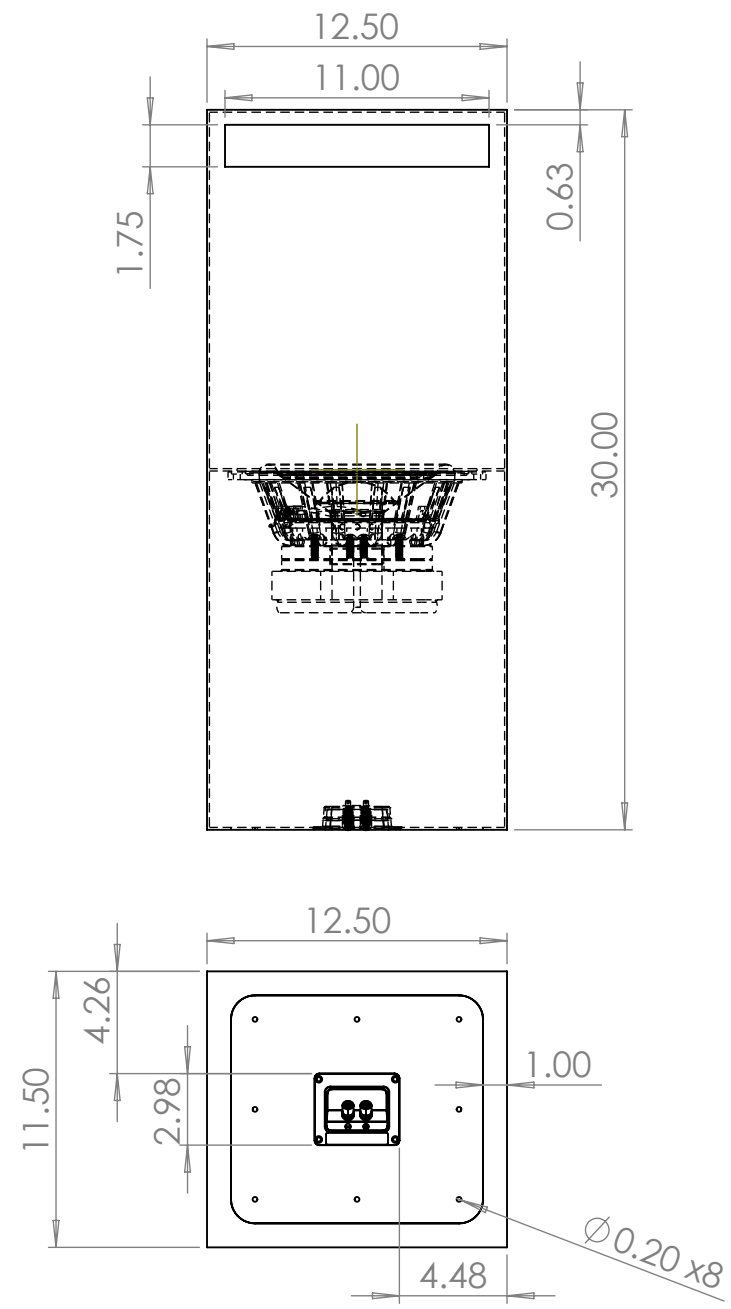
4

3

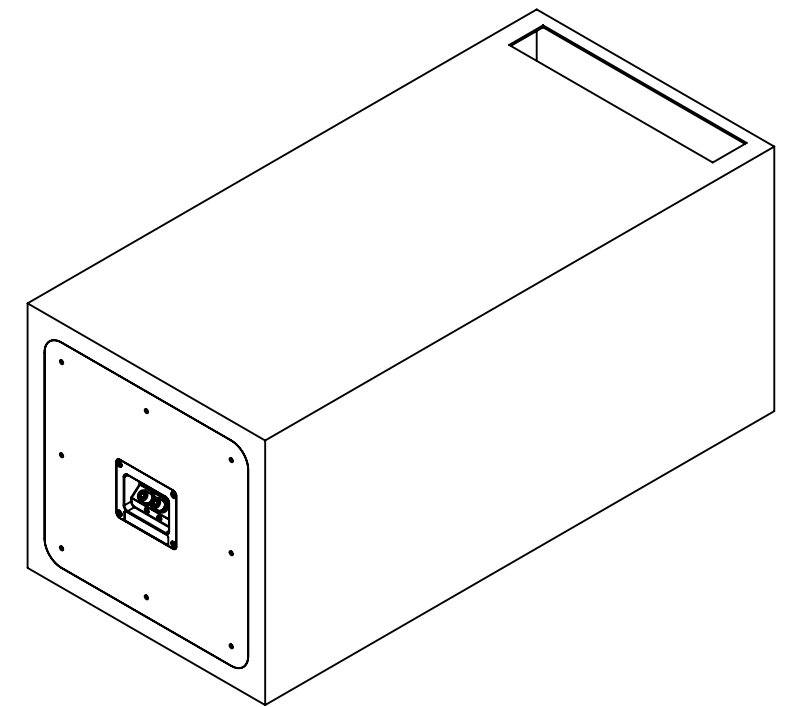
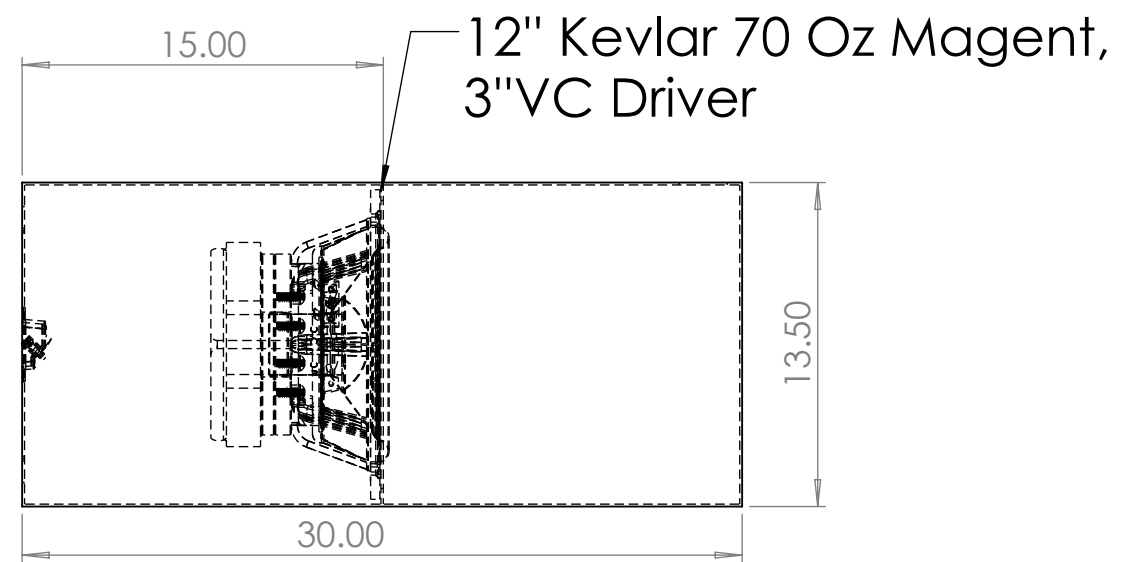
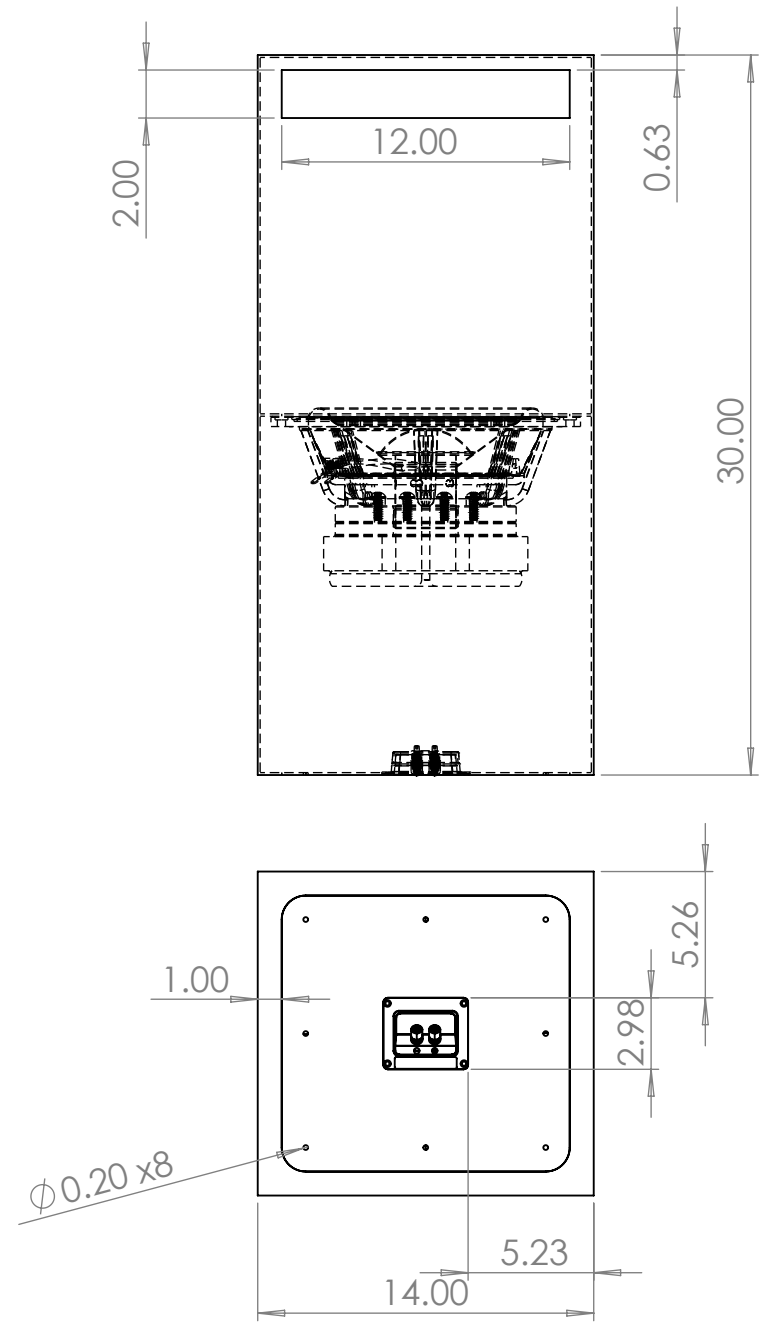
2

1

UTF 10XL



UTF 12XL



PROPRIETARY AND CONFIDENTIAL
THE INFORMATION CONTAINED IN THIS DRAWING IS THE SOLE PROPERTY OF NEXT LEVEL ACOUSTICS. ANY REPRODUCTION IN PART OR AS A WHOLE WITHOUT THE WRITTEN PERMISSION OF NEXT LEVEL ACOUSTICS IS PROHIBITED.

UNLESS OTHERWISE SPECIFIED:		NAME	DATE	TITLE: UTF
DIMENSIONS ARE IN INCHES	DRAWN			
TOLERANCES: FRACTIONAL ± ANGULAR: MACH ± BEND ± TWO PLACE DECIMAL ± THREE PLACE DECIMAL ±	CHECKED			
INTERPRET GEOMETRIC TOLERANCING PER:	ENG APPR.			SCALE: 1:8 WEIGHT: SHEET 1 OF 1
MATERIAL	MFG APPR.			
FINISH	Q.A.			
APPLICATION	COMMENTS:			

4

3

2

1

D

D

C

C

B

B

A

A