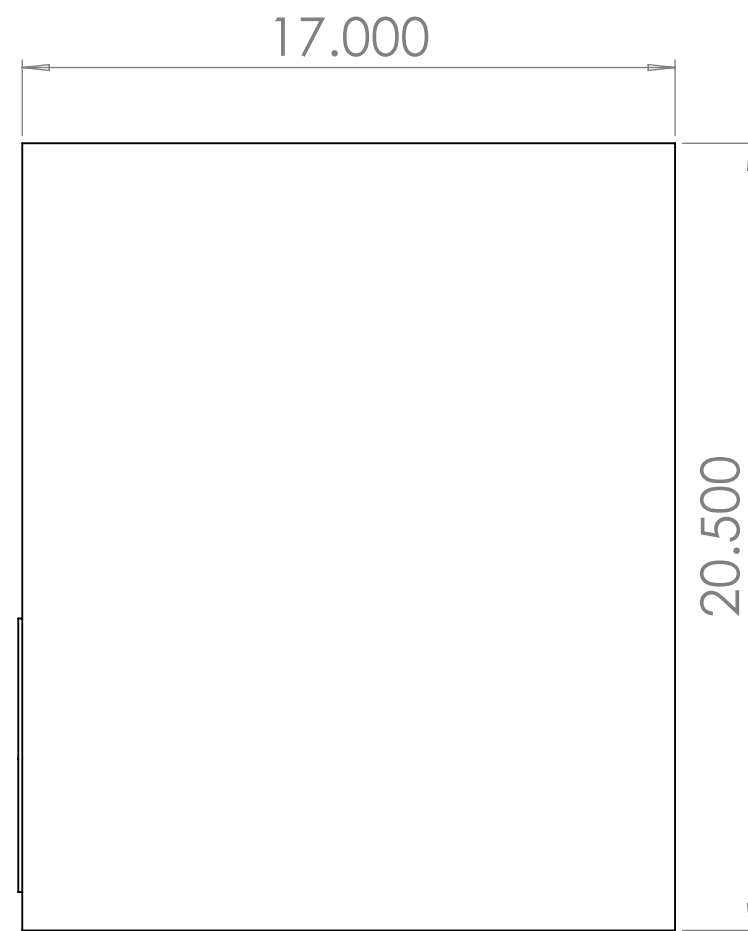
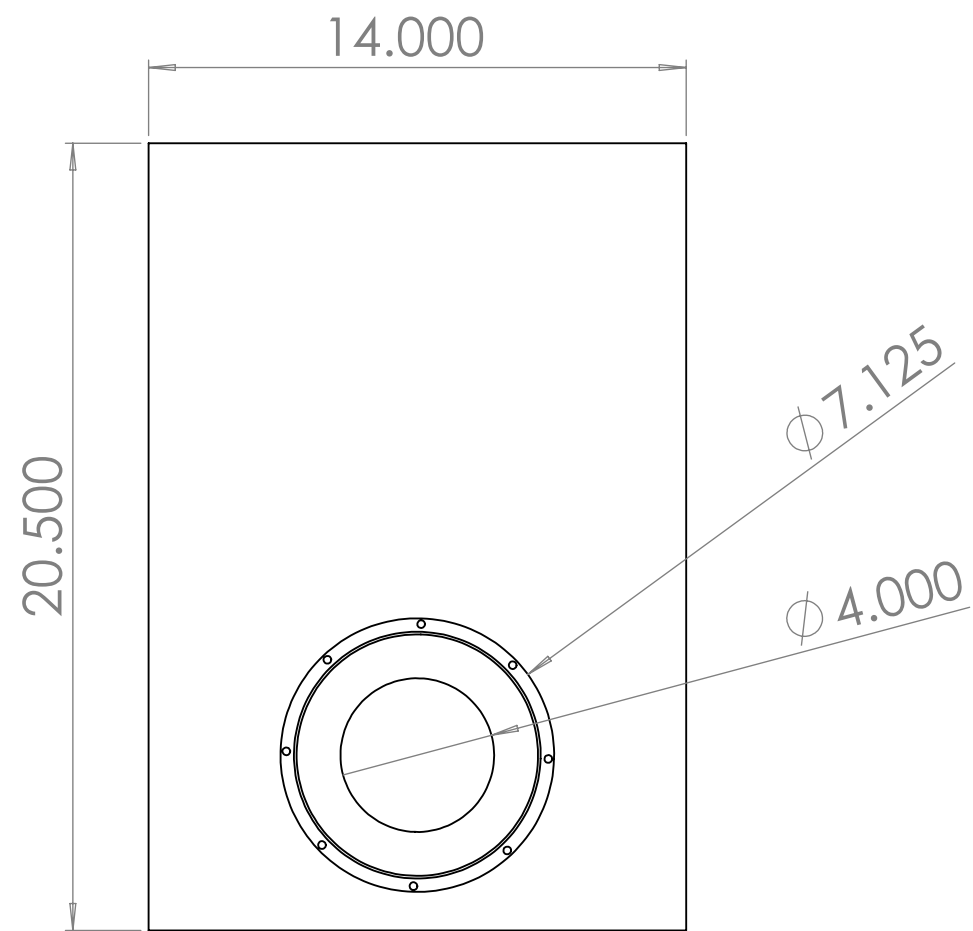
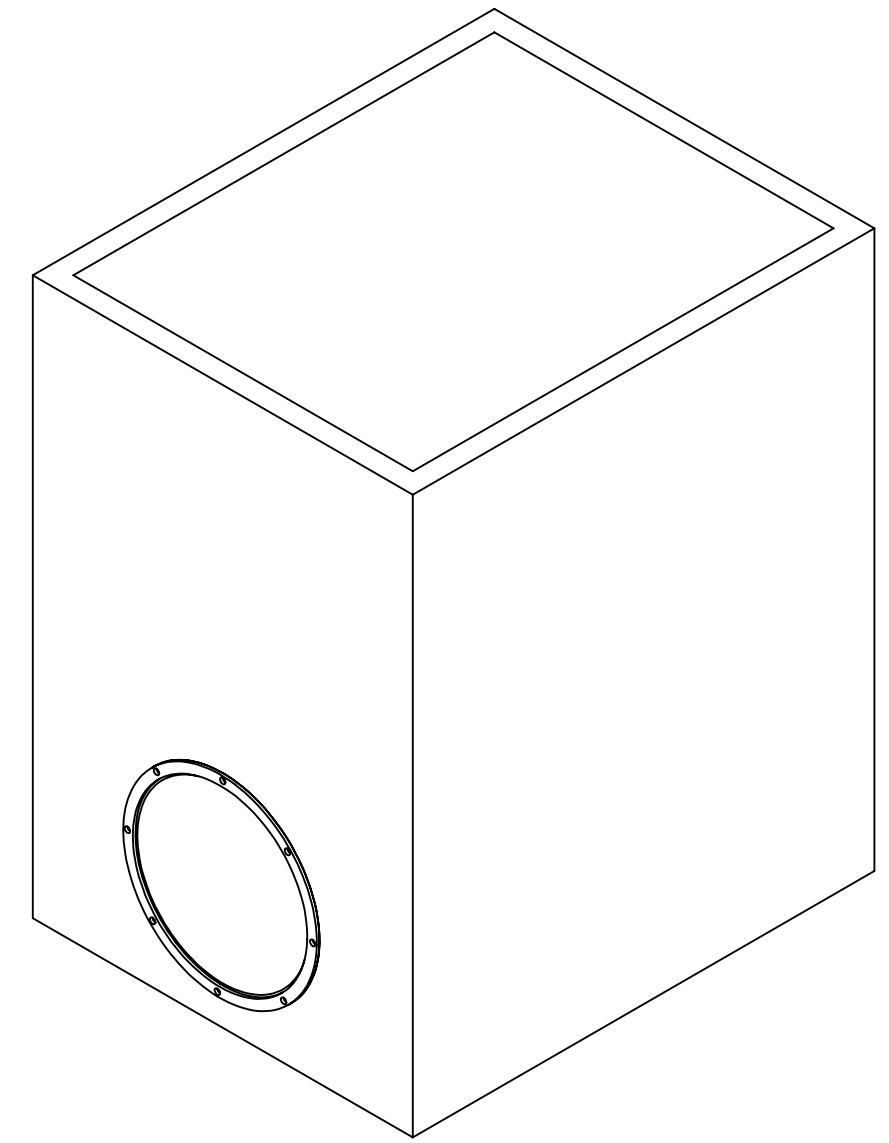
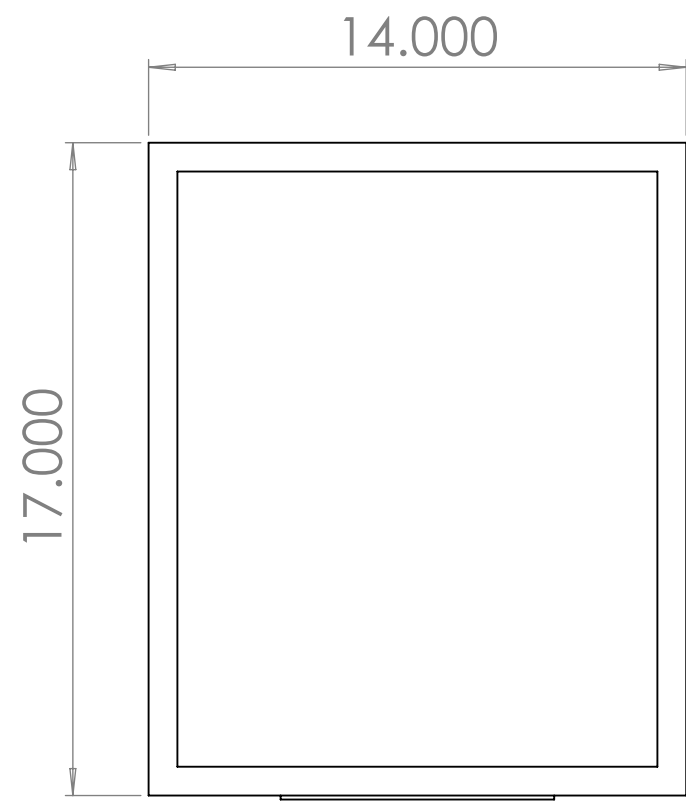


4

3

2

1



**PROPRIETARY AND CONFIDENTIAL**  
 THE INFORMATION CONTAINED IN THIS DRAWING IS THE SOLE PROPERTY OF NEXT LEVEL ACOUSTICS. ANY REPRODUCTION IN PART OR AS A WHOLE WITHOUT THE WRITTEN PERMISSION OF NEXT LEVEL ACOUSTICS IS PROHIBITED.

		UNLESS OTHERWISE SPECIFIED:		NAME	DATE		
		DIMENSIONS ARE IN INCHES		DRAWN		TITLE: HVS 10	
		TOLERANCES:		CHECKED			
		FRACTIONAL $\pm$		ENG APPR.			
		ANGULAR: MACH $\pm$ BEND $\pm$		MFG APPR.			
		TWO PLACE DECIMAL $\pm$		Q.A.			
		THREE PLACE DECIMAL $\pm$		COMMENTS:			
		INTERPRET GEOMETRIC TOLERANCING PER:				SIZE	DWG. NO.
		MATERIAL				<b>C</b>	REV
NEXT ASSY	USED ON	FINISH				SCALE: 1:6 WEIGHT:	
APPLICATION		DO NOT SCALE DRAWING					

4

3

2

1

D

D

C

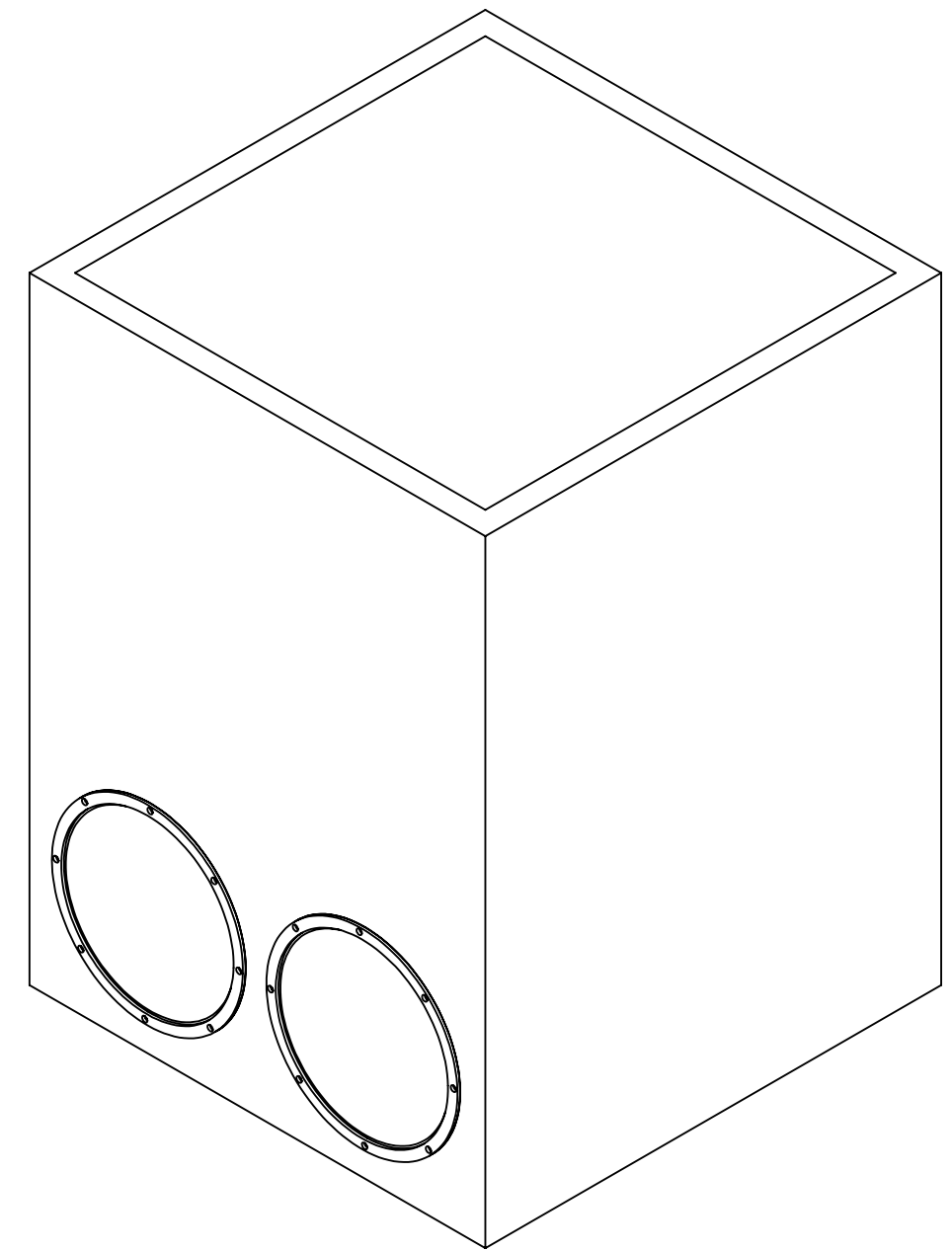
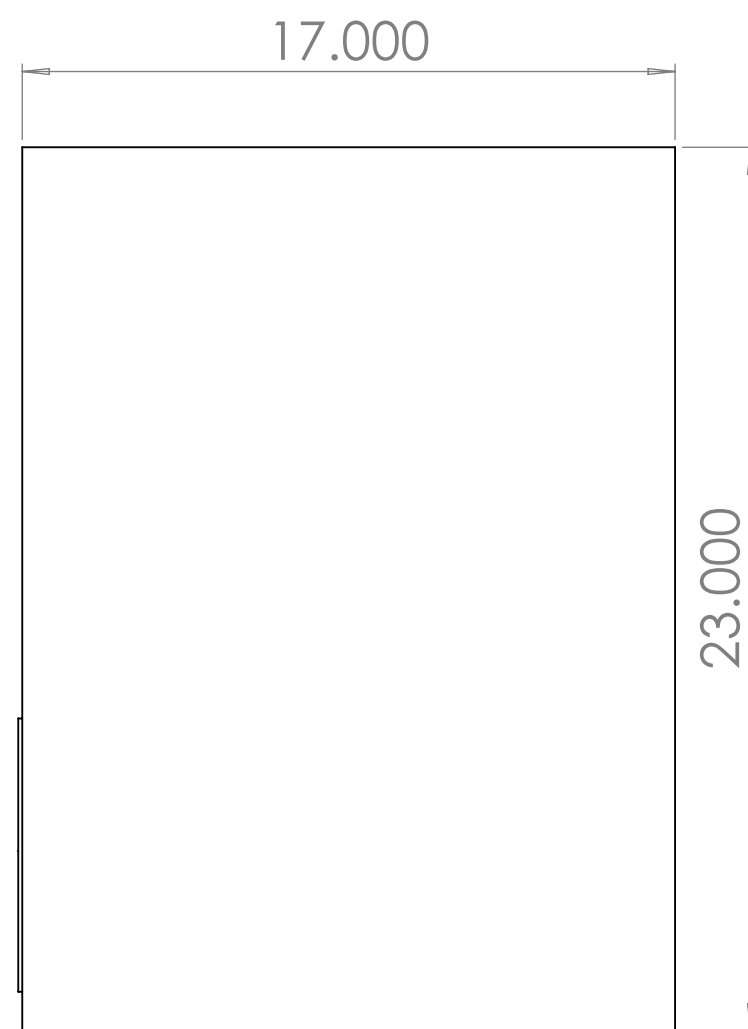
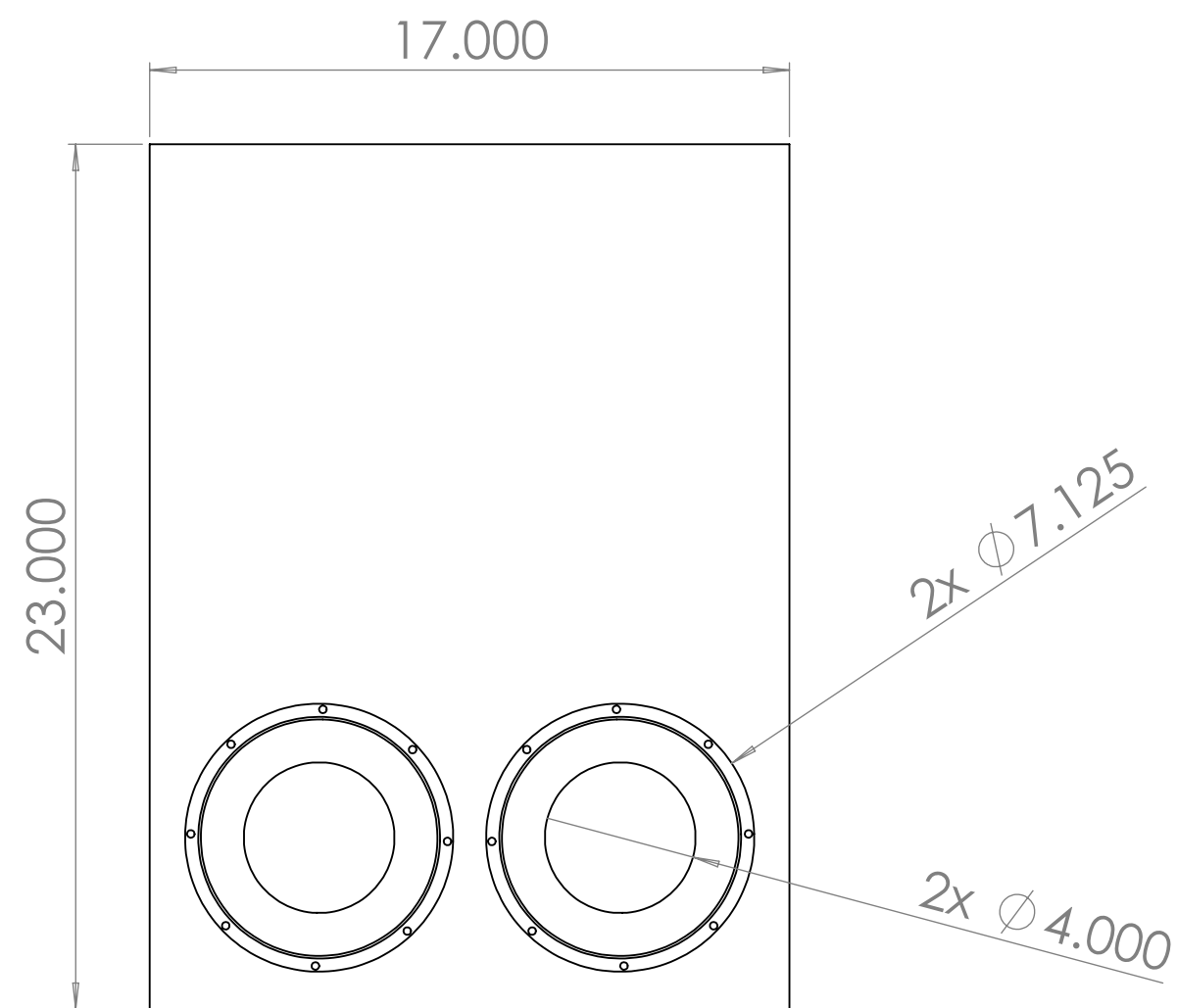
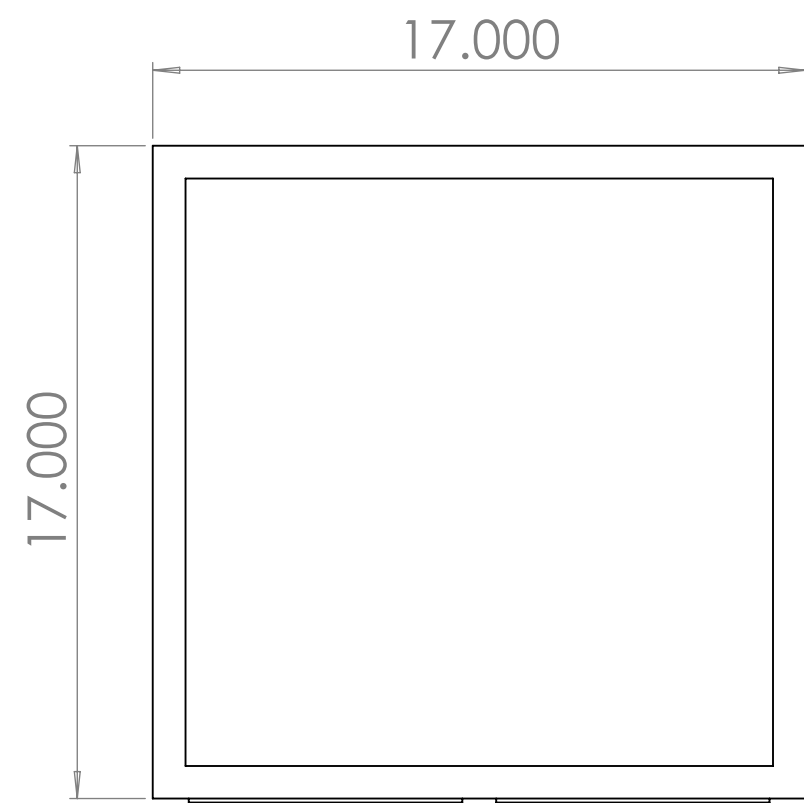
C

B

B

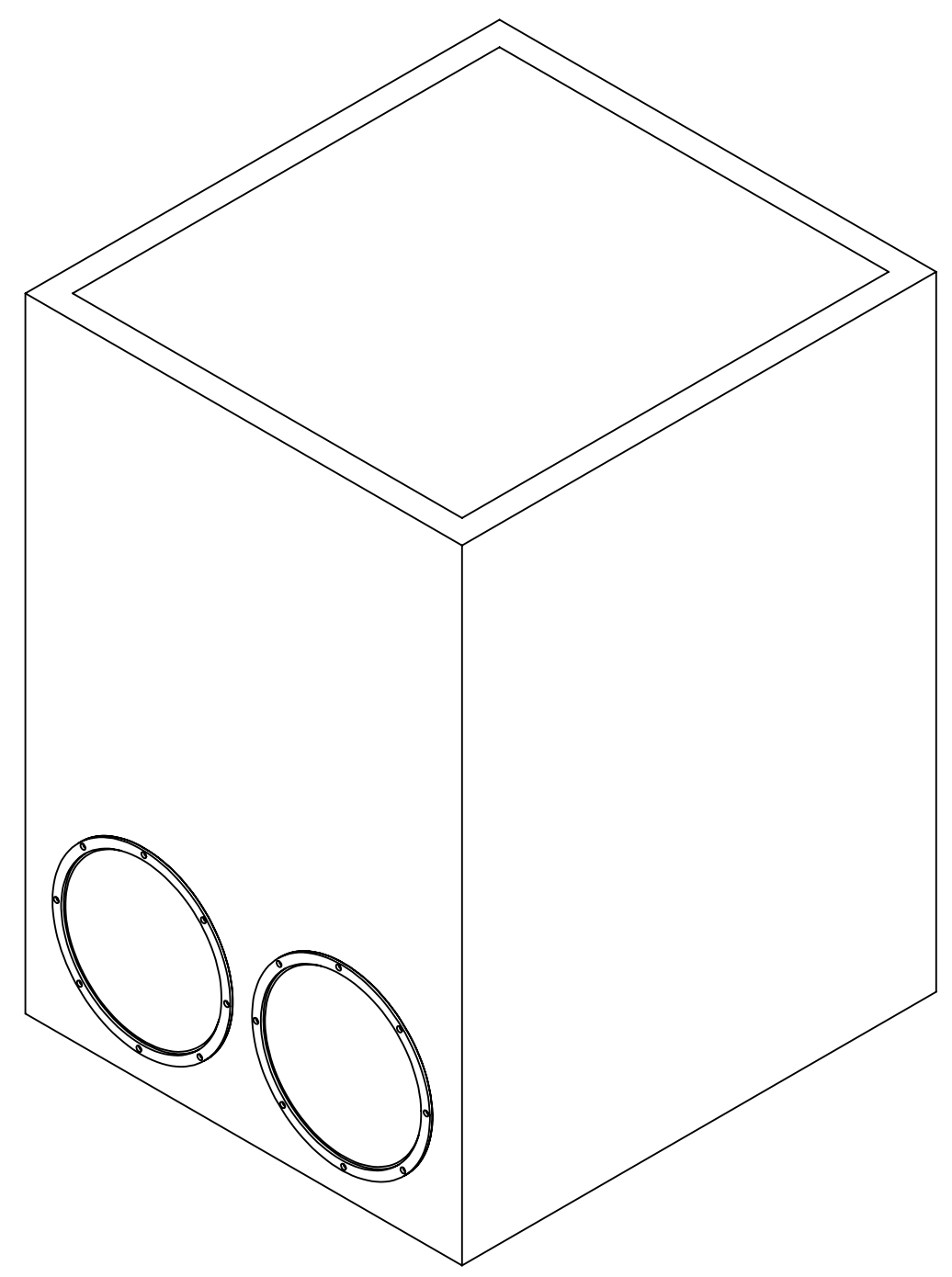
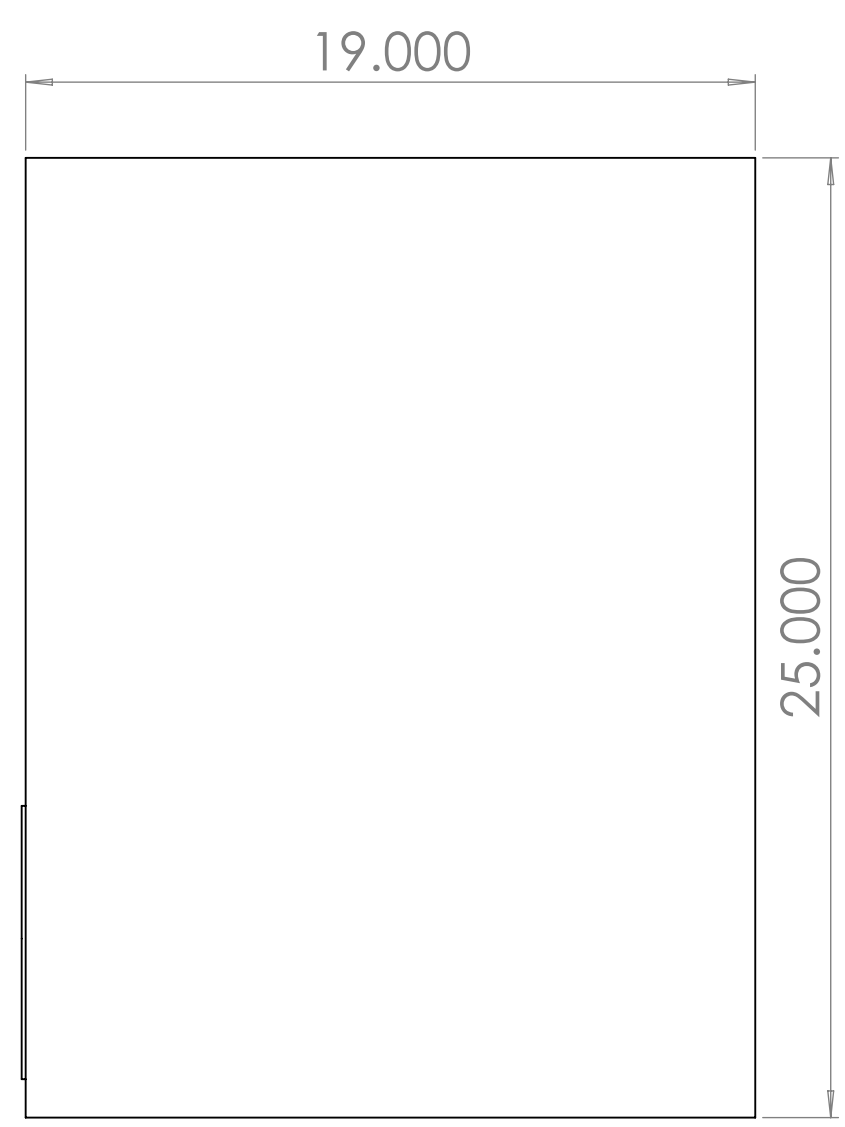
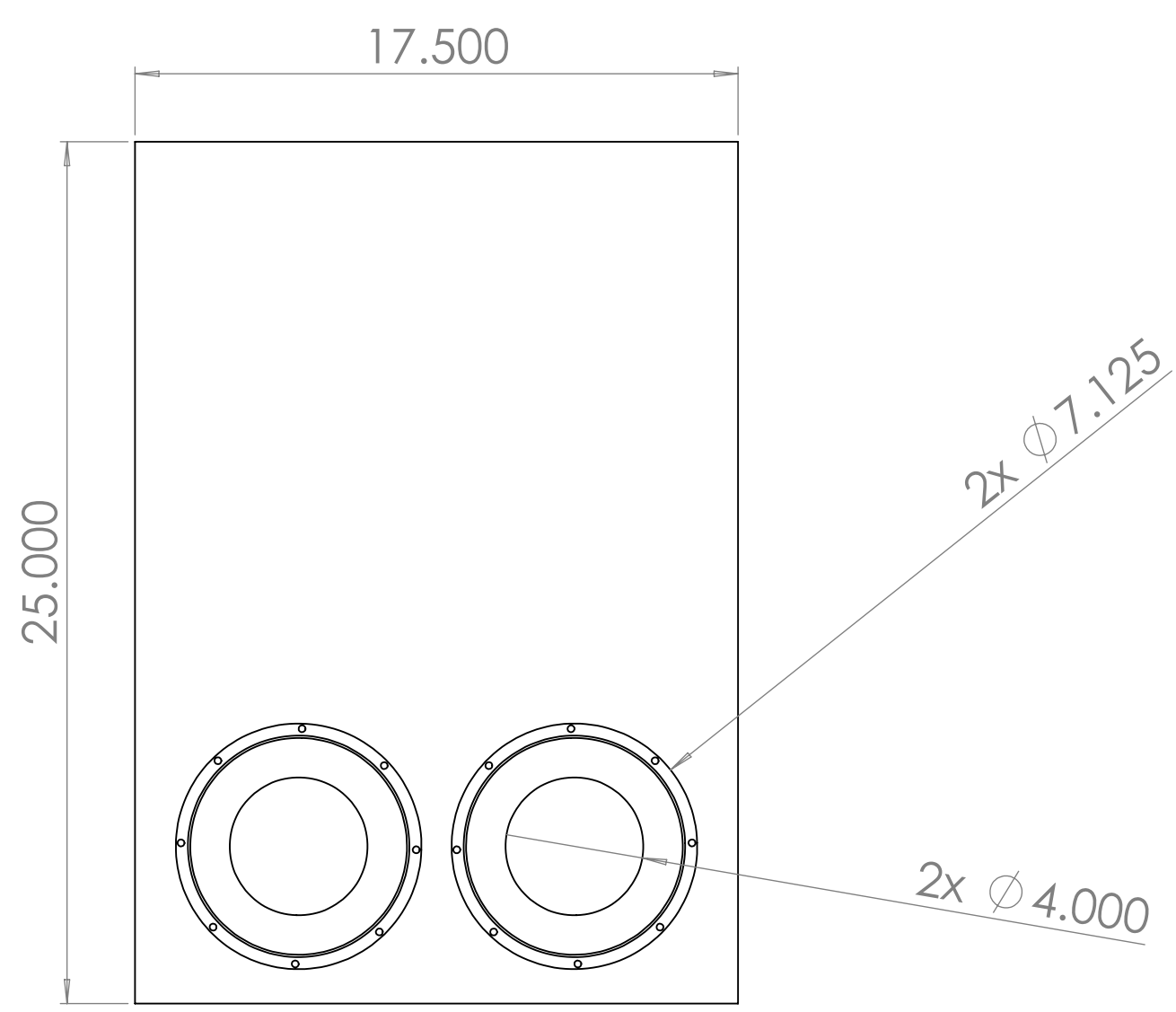
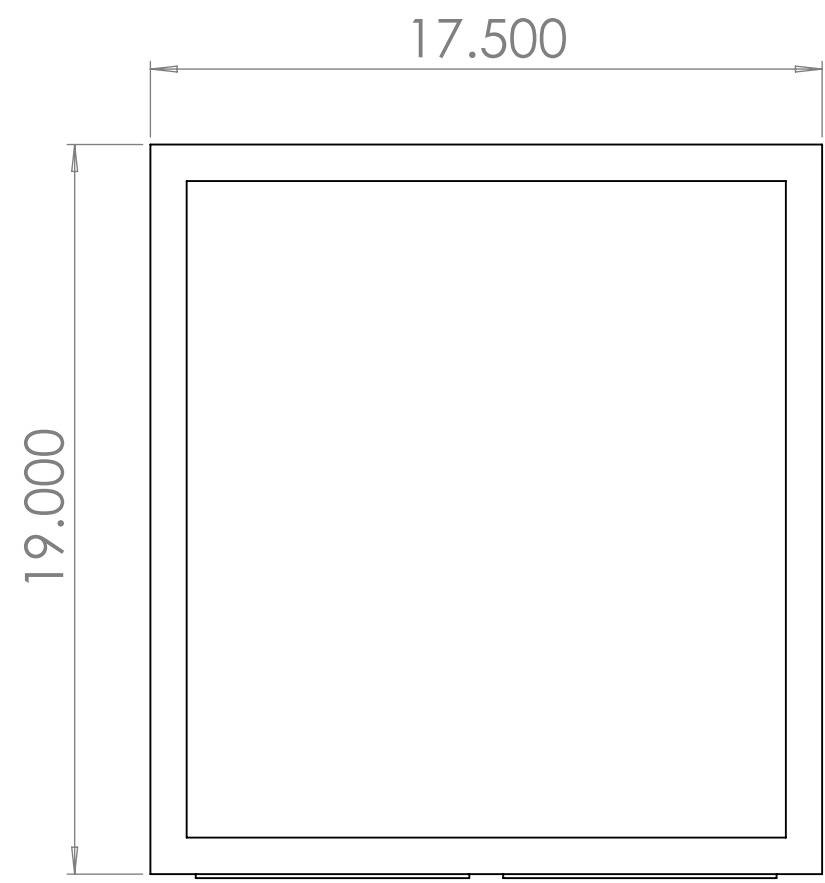
A

A



**PROPRIETARY AND CONFIDENTIAL**  
 THE INFORMATION CONTAINED IN THIS DRAWING IS THE SOLE PROPERTY OF NEXT LEVEL ACOUSTICS. ANY REPRODUCTION IN PART OR AS A WHOLE WITHOUT THE WRITTEN PERMISSION OF NEXT LEVEL ACOUSTICS IS PROHIBITED.

		UNLESS OTHERWISE SPECIFIED:		NAME	DATE		
		DIMENSIONS ARE IN INCHES		DRAWN		TITLE: HVS 12	
		TOLERANCES:		CHECKED			
		FRACTIONAL ±		ENG APPR.			
		ANGULAR: MACH ± BEND ±		MFG APPR.			
		TWO PLACE DECIMAL ±		Q.A.			
		THREE PLACE DECIMAL ±		COMMENTS:			
		INTERPRET GEOMETRIC TOLERANCING PER:				SIZE DWG. NO.	REV
		MATERIAL				<b>C</b>	
NEXT ASSY	USED ON	FINISH				SCALE: 1:6	WEIGHT:
APPLICATION		DO NOT SCALE DRAWING					



**PROPRIETARY AND CONFIDENTIAL**  
 THE INFORMATION CONTAINED IN THIS DRAWING IS THE SOLE PROPERTY OF NEXT LEVEL ACOUSTICS. ANY REPRODUCTION IN PART OR AS A WHOLE WITHOUT THE WRITTEN PERMISSION OF NEXT LEVEL ACOUSTICS IS PROHIBITED.

UNLESS OTHERWISE SPECIFIED:		NAME	DATE
DIMENSIONS ARE IN INCHES		DRAWN	
TOLERANCES:		CHECKED	
FRACTIONAL ±		ENG APPR.	
ANGULAR: MACH ± BEND ±		MFG APPR.	
TWO PLACE DECIMAL ±		Q.A.	
THREE PLACE DECIMAL ±		COMMENTS:	
INTERPRET GEOMETRIC TOLERANCING PER:			
MATERIAL			
FINISH			
NEXT ASSY	USED ON		
APPLICATION			
DO NOT SCALE DRAWING			

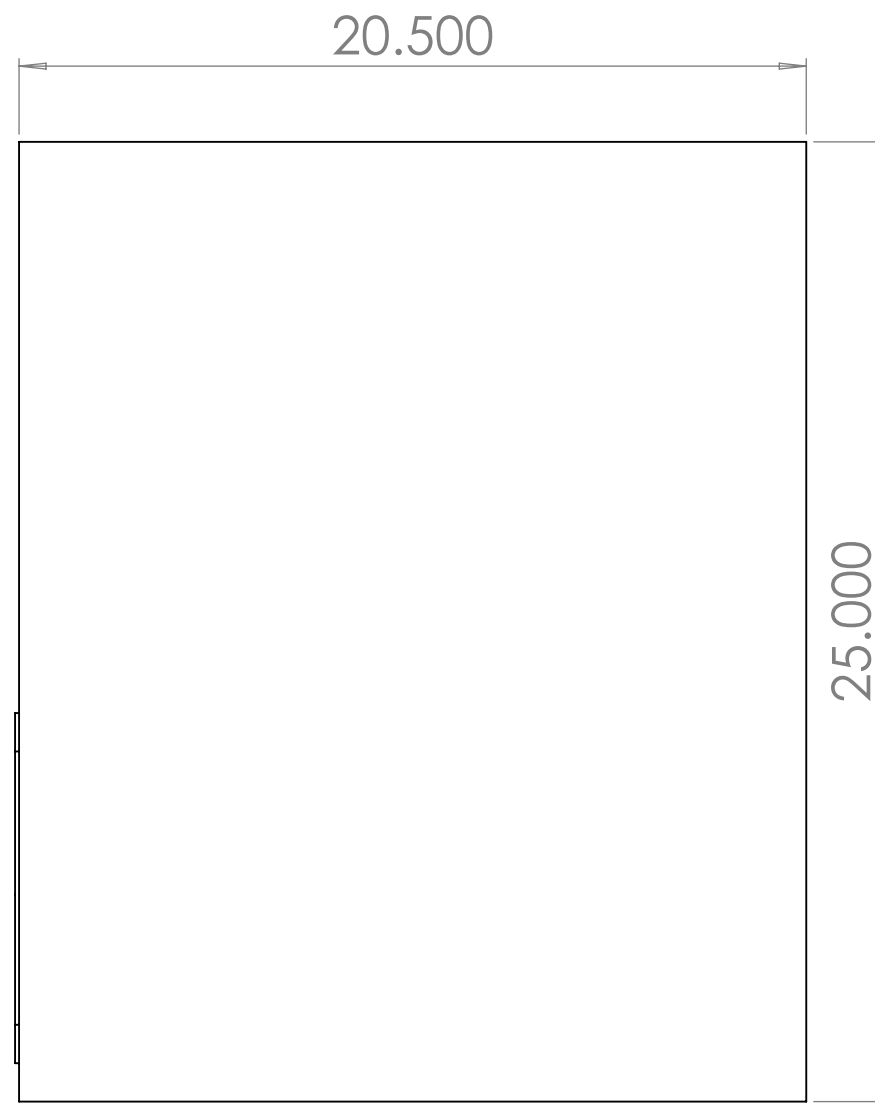
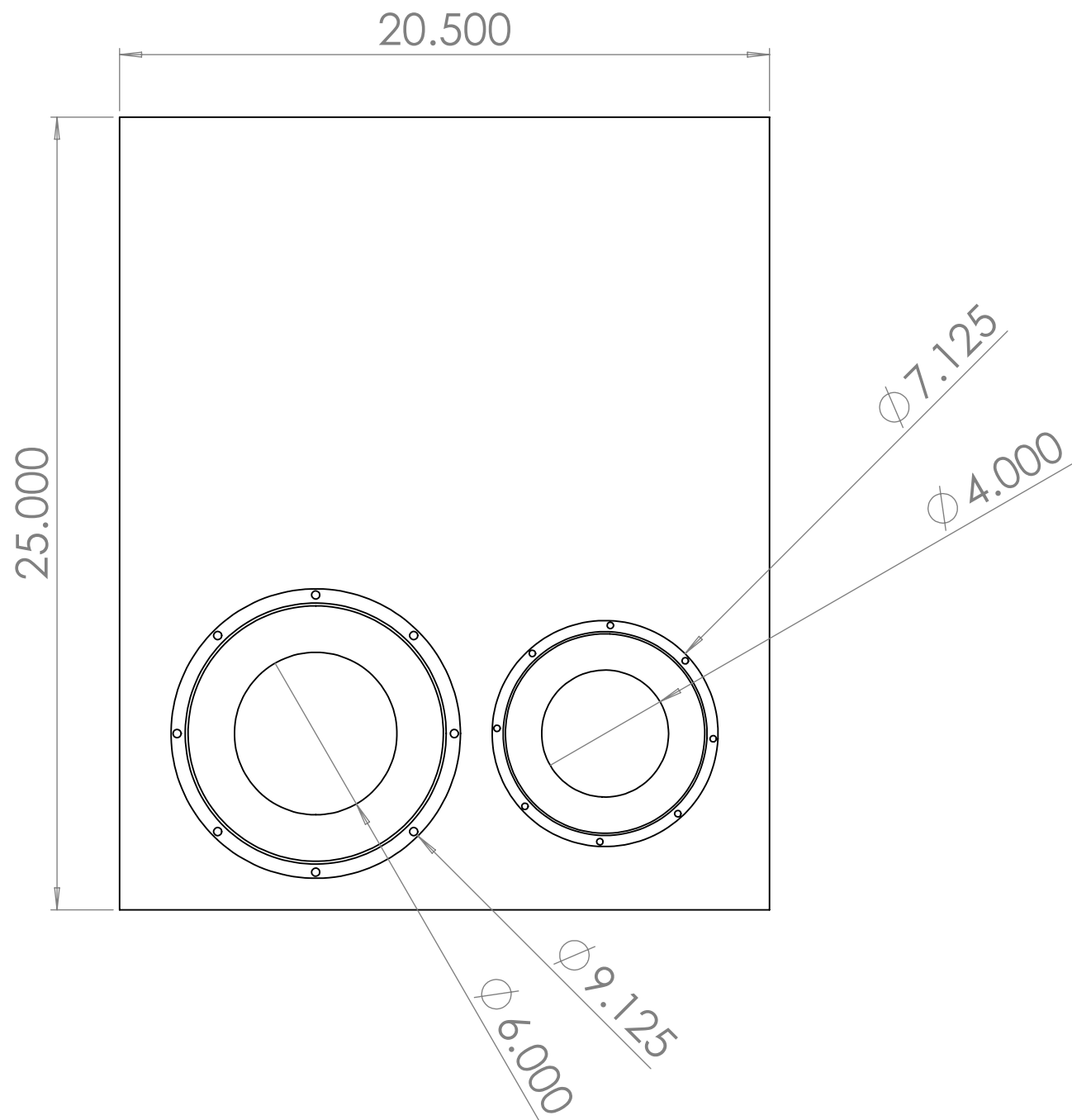
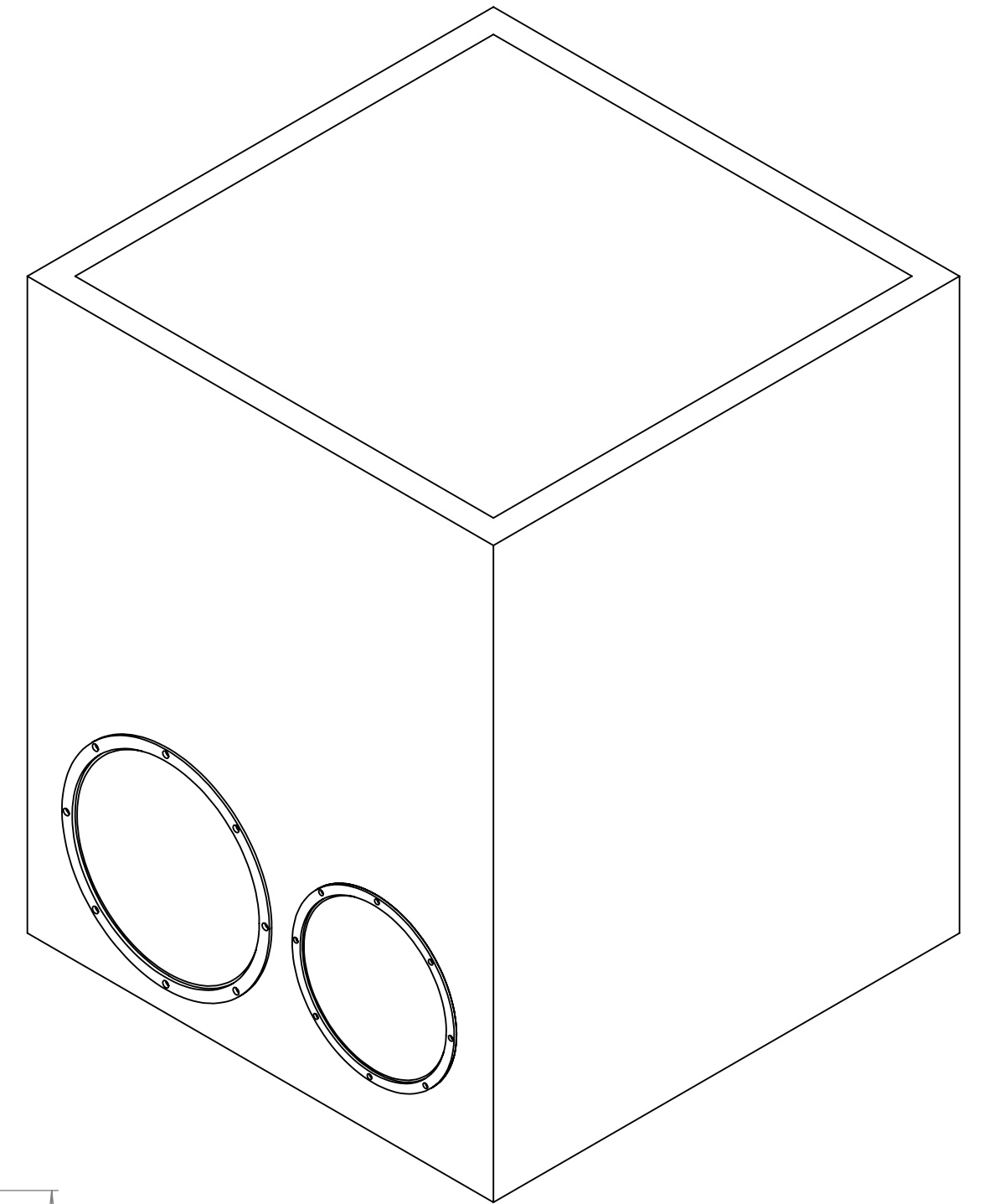
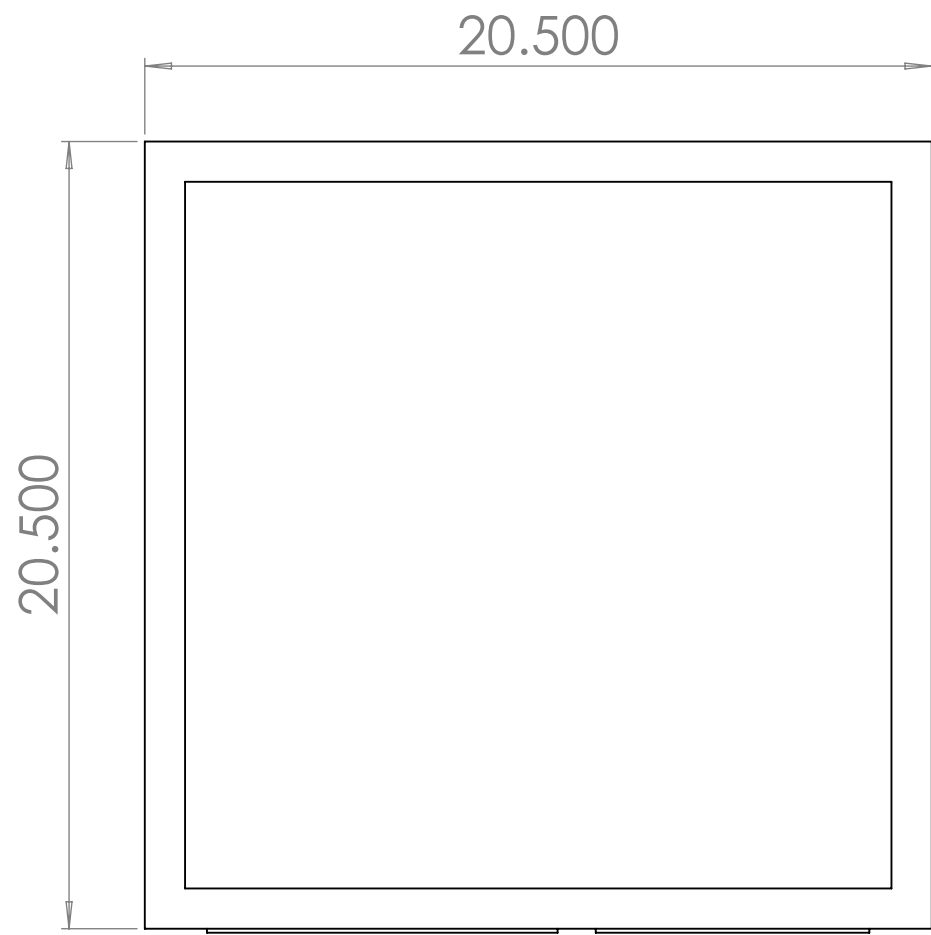
TITLE: HVS 15		
SIZE	DWG. NO.	REV
C		
SCALE: 1:6		WEIGHT:

4

3

2

1



**PROPRIETARY AND CONFIDENTIAL**  
 THE INFORMATION CONTAINED IN THIS DRAWING IS THE SOLE PROPERTY OF NEXT LEVEL ACOUSTICS. ANY REPRODUCTION IN PART OR AS A WHOLE WITHOUT THE WRITTEN PERMISSION OF NEXT LEVEL ACOUSTICS IS PROHIBITED.

		UNLESS OTHERWISE SPECIFIED:		NAME	DATE		
		DIMENSIONS ARE IN INCHES		DRAWN		TITLE: HVS 18	
		TOLERANCES:		CHECKED			
		FRACTIONAL $\pm$		ENG APPR.			
		ANGULAR: MACH $\pm$ BEND $\pm$		MFG APPR.			
		TWO PLACE DECIMAL $\pm$		Q.A.			
		THREE PLACE DECIMAL $\pm$		COMMENTS:			
		INTERPRET GEOMETRIC TOLERANCING PER:				SIZE DWG. NO.	REV
		MATERIAL				<b>C</b>	
NEXT ASSY	USED ON	FINISH				SCALE: 1:6	WEIGHT:
APPLICATION		DO NOT SCALE DRAWING					

4

3

2

1

D

D

C

C

B

B

A

A