

4

3

2

1

D

D

C

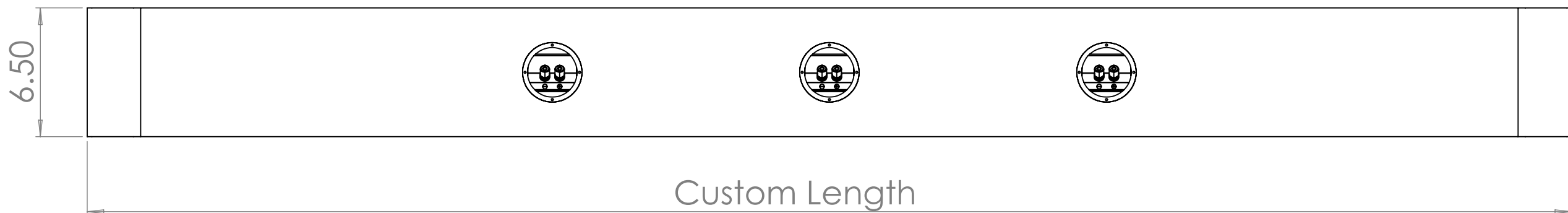
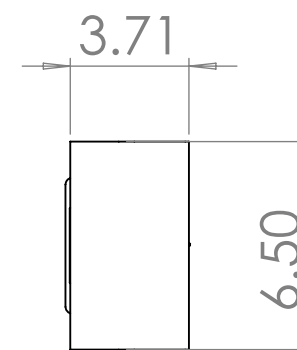
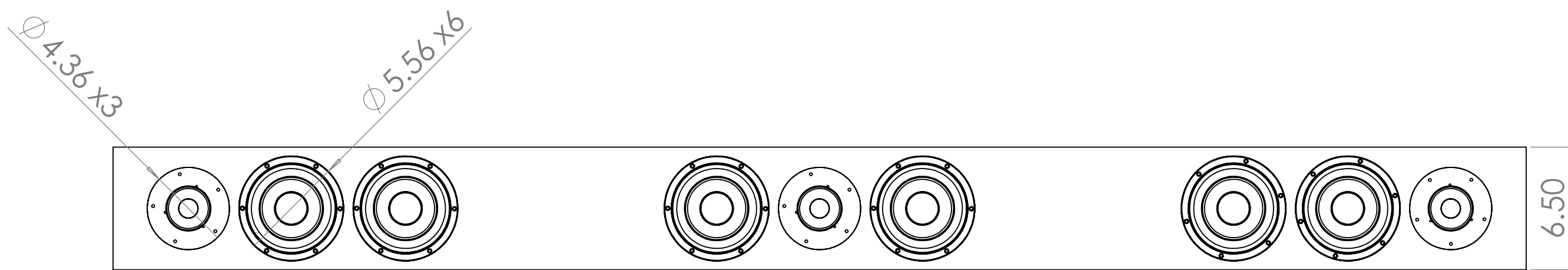
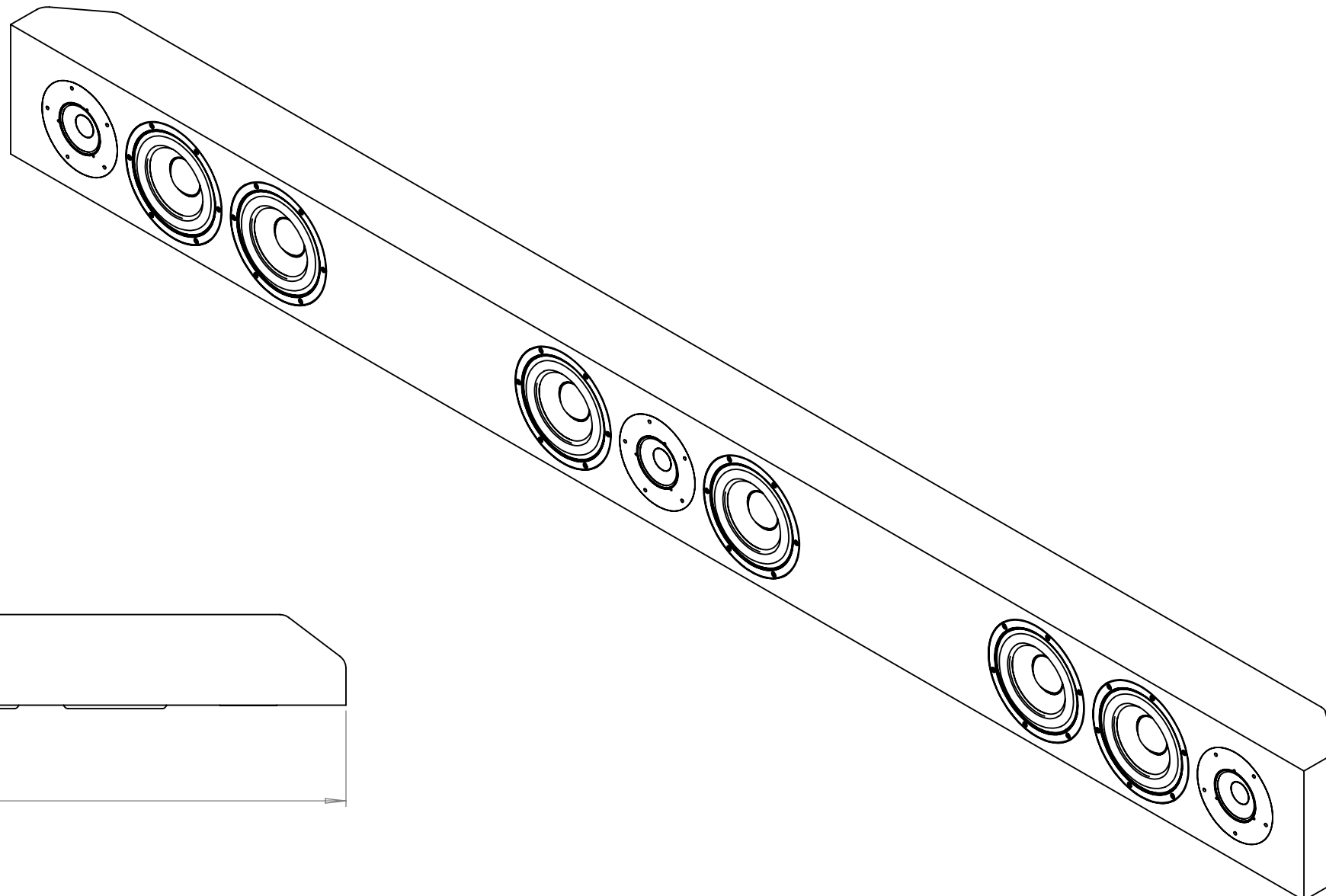
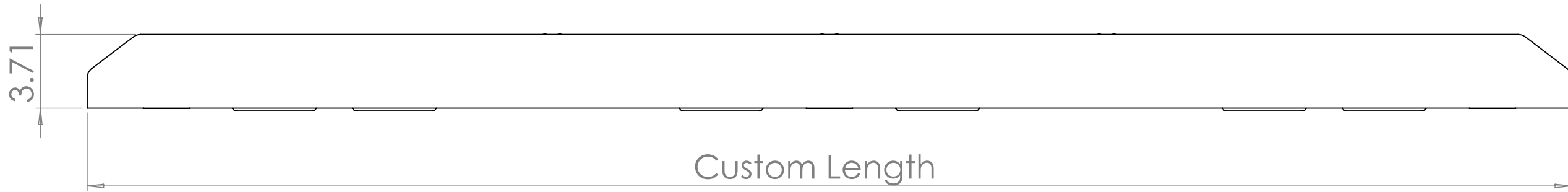
C

B

B

A

A



PROPRIETARY AND CONFIDENTIAL
 THE INFORMATION CONTAINED IN THIS DRAWING IS THE SOLE PROPERTY OF NEXT LEVEL ACOUSTICS. ANY REPRODUCTION IN PART OR AS A WHOLE WITHOUT THE WRITTEN PERMISSION OF NEXT LEVEL ACOUSTICS IS PROHIBITED.

| | | | | | | |
|-----------|---------|--------------------------------------|--|----------------------|------|---|
| | | UNLESS OTHERWISE SPECIFIED: | | NAME | DATE | TITLE: Reference Soundbar LCR |
| | | DIMENSIONS ARE IN INCHES | | DRAWN | | |
| | | TOLERANCES: | | CHECKED | | |
| | | FRACTIONAL \pm | | ENG APPR. | | |
| | | ANGULAR: MACH \pm BEND \pm | | MFG APPR. | | SIZE DWG. NO. REV |
| | | TWO PLACE DECIMAL \pm | | Q.A. | | |
| | | THREE PLACE DECIMAL \pm | | COMMENTS: | | SCALE: 1:6 WEIGHT: |
| | | INTERPRET GEOMETRIC TOLERANCING PER: | | | | |
| | | MATERIAL | | | | |
| | | FINISH | | | | |
| NEXT ASSY | USED ON | APPLICATION | | DO NOT SCALE DRAWING | | |

4

3

2

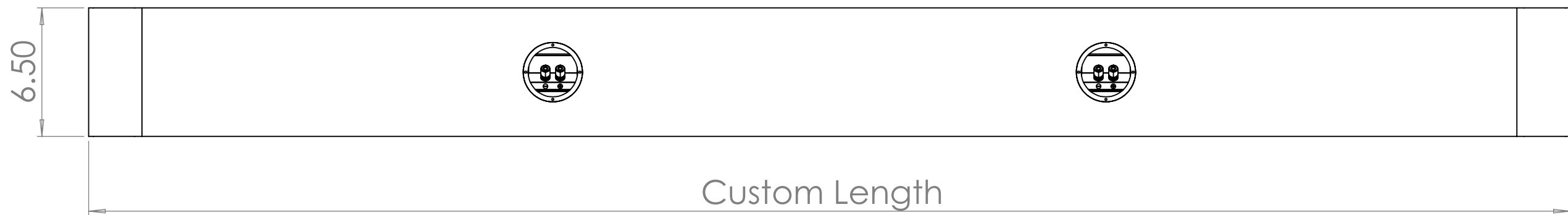
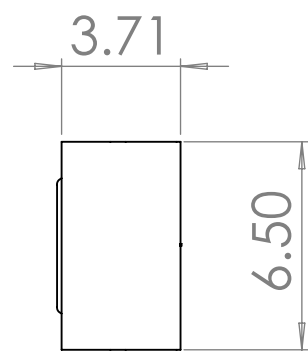
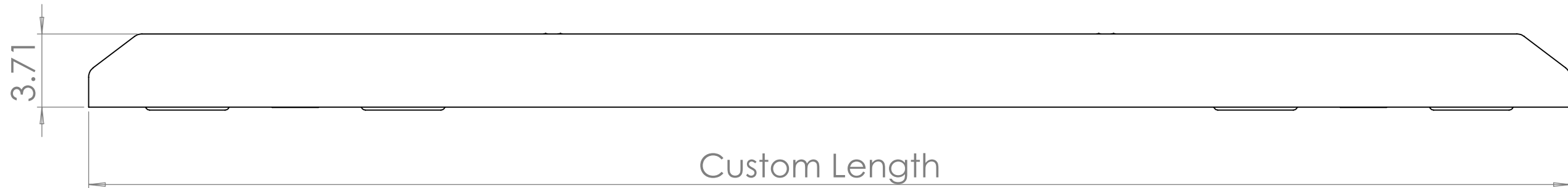
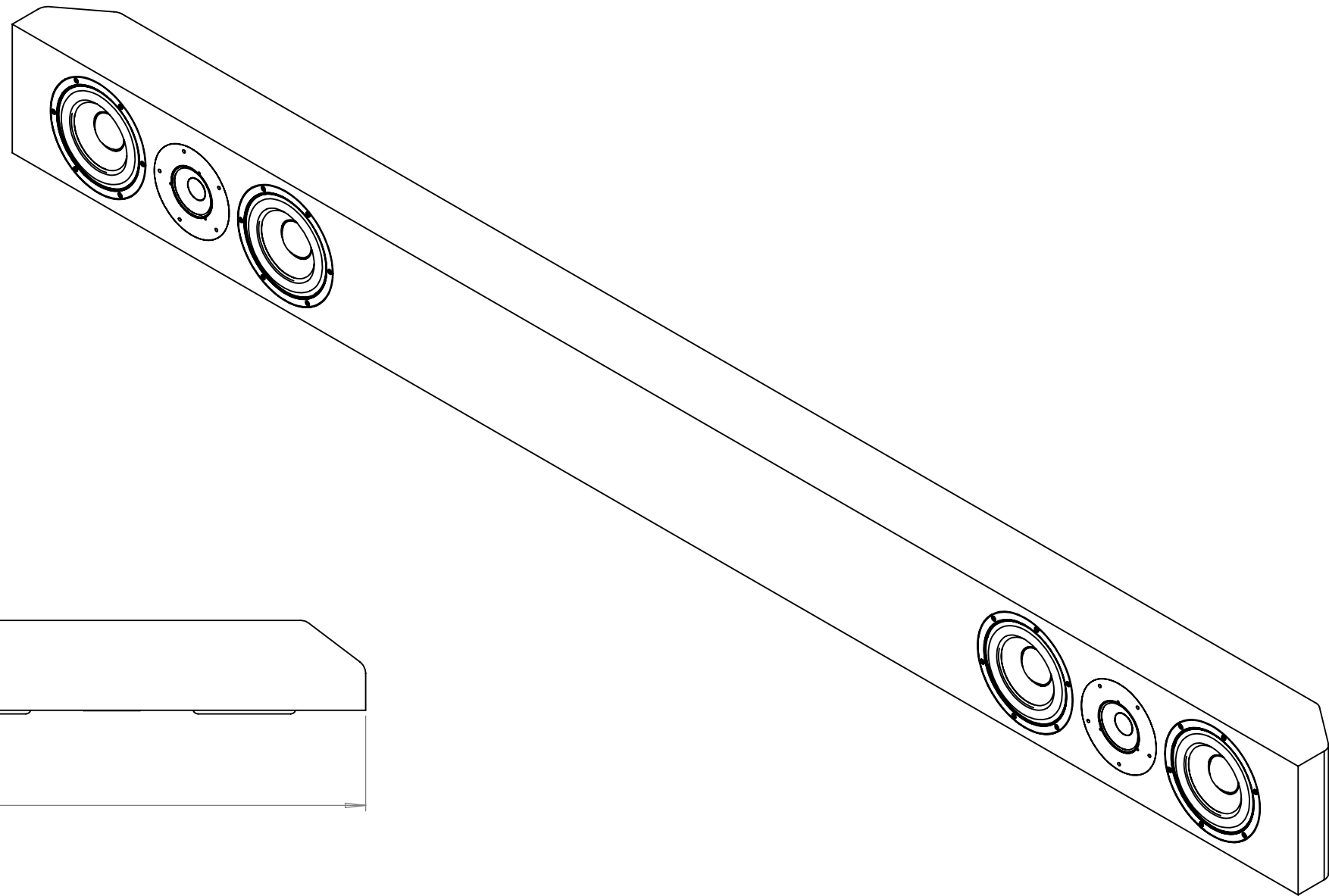
1

4

3

2

1



D

D

C

C

B

B

A

A



PROPRIETARY AND CONFIDENTIAL
 THE INFORMATION CONTAINED IN THIS DRAWING IS THE SOLE PROPERTY OF NEXT LEVEL ACOUSTICS. ANY REPRODUCTION IN PART OR AS A WHOLE WITHOUT THE WRITTEN PERMISSION OF NEXT LEVEL ACOUSTICS IS PROHIBITED.

| | | | | | | |
|-----------|---------|--------------------------------------|--|----------------------|------|--|
| | | UNLESS OTHERWISE SPECIFIED: | | NAME | DATE | TITLE: Reference Soundbar Stereo |
| | | DIMENSIONS ARE IN INCHES | | DRAWN | | |
| | | TOLERANCES: | | CHECKED | | |
| | | FRACTIONAL ± | | ENG APPR. | | |
| | | ANGULAR: MACH ± BEND ± | | MFG APPR. | | SIZE DWG. NO. REV |
| | | TWO PLACE DECIMAL ± | | Q.A. | | |
| | | THREE PLACE DECIMAL ± | | COMMENTS: | | SCALE: 1:6 WEIGHT: |
| | | INTERPRET GEOMETRIC TOLERANCING PER: | | | | |
| | | MATERIAL | | | | |
| | | FINISH | | | | |
| NEXT ASSY | USED ON | APPLICATION | | DO NOT SCALE DRAWING | | |

4

3

2

1