



**Z-CLIP AND UM1 BRACKET
SPEAKER INSTALLATION**

Fusion Series Z-Clip Mount

1) *With a stud finder find the position of the studs in the drywall and mark their location (Fig. 1)*

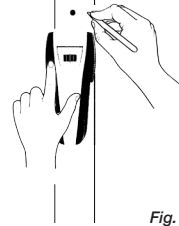


Fig. 1

2) *Determine the optimal placement for the speaker, based upon your desired look*

3) *If a z-clip was pre-mounted to the back of the speaker, skip to step 5*

4) *Mount and level one of the z-clips to the back of the speaker using the provided #10 1/2" screws (Fig. 2)*

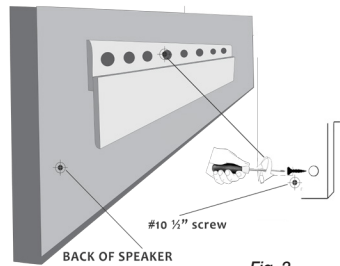


Fig. 2

5) *Mount and level the second z-clip to the wall. Hitting studs on horizontal speakers is recommended (Fig. 3)*

6) *For non-stud mounting, only use hardware rated to carry the weight of the speaker*

7) *Connect the speaker wires to the terminals located on the back of the speaker*

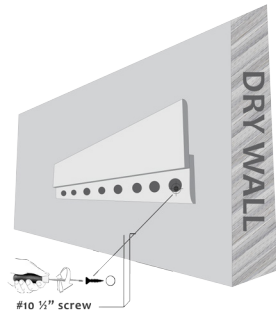


Fig. 3

9) *If applicable, funnel the wires into cable management channels and cover w/ black tape*

10) *Install the rubber bumpers to the back of the speaker if desired*

11) *Lower the speaker mounted z-clip onto the wall mounted z-clip pushing any excess wire into the wall (Fig. 4)*



Fig. 4

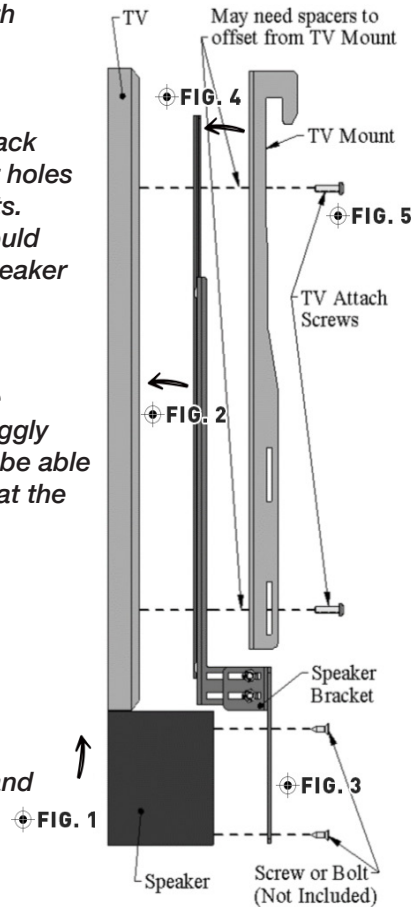
Fusion Series Mounting Using the UM1 Bracket

- 1) *Very carefully lay the display face down on a soft surface making sure not to damage*
- 2) *Place the speaker face down flush with the bottom of the display (Fig. 1)*

- 3) *Lay the UM1 bracket arms onto the back of the display so that the arms anchor holes pass over the displays threaded inserts. The UM1's slotted depth brackets should also overhang onto the back of the speaker (Fig. 2)*

- 4) *Adjust the UM1 bracket arms until the depth support slotted bracket fits snugly onto the back of the speaker. You will be able to fine tune the height, depth, and tilt at the end of the install (Fig. 3)*

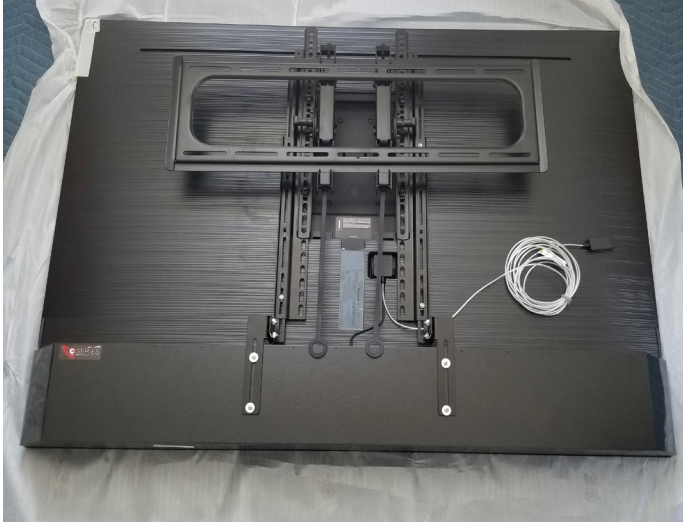
- 5) *Lay your display wall mounts bracket arms over the UM1 bracket arms and secure to the back of the display making sure that the bolts (not provided) pass through both the display wall mount bracket arms and the UM1 bracket arms (Fig. 4/5)*



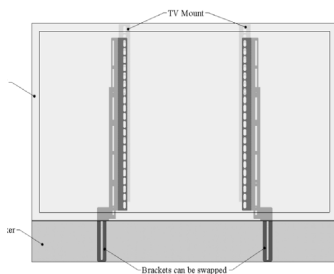
- 6) *Anchor the UM1's slotted depth brackets to the back of the soundbar using #10 1/2" screws and washers (provided in the UM1 box), two per bracket. You will need to pre-drill before anchoring the #10 1/2 screws (Fig. 3)*

Fusion Series Mounting Using the UM1 Bracket

Steps 1-6 should look like the picture below



- 7) *Unscrew the nylon nuts and remove the bolts securing the UM1's slotted depth brackets to the UM1 bracket arm and remove the speaker from the bottom of the display. The depth adjustment bracket arms should still be screwed into the back of the speaker*
- 8) *Lift and mount the display onto wall, following the instructions provided by the mounts manufacturer*
- 9) *Lift the speaker and re-attach to the UM1 bracket arms with the bolts and nylon nuts that you removed in step 7*



nextlevelacoustics.com
tel + 617.237.2875
info@nextlevelacoustics.com

- 10) *Adjust the height, depth, and tilt features of the UM1 bracket to achieve the desired look and connect the speaker wires to the back of the speaker*