

EXCLUSIVELY FOR THE SONOS® ARC

USER MANUAL

Limited Warranty

JS Speaker Technology LLC guarantees the UM1-A to be free of defects for the product's warranty period of 5 years.

The warranty period begins on the original date of shipping. The limited warranty is intended only for the original purchaser. The warranty will be void if the bracket is modified in anyway or not installed correctly, Including overloading, abuse, or use for any purpose other than specified in these directions. The UM1-A bracket is for **indoor use** only and any use outdoors will void this warranty.

JS Speaker Technology LLC is not liable for any damage or injury caused from the use of or the inability to use our bracket. To the maximum extent permitted by applicable law, JS Source Technology LLC disclaims any responsibility for incidental or consequential damages.

Additional terms and limited warranty conditions that apply to this product are listed on the Next Level Acoustics website at:
www.nextlevelacoustics.com/warranty.

DISCLAIMER: JS Speaker Technology LLC and Next Level Acoustics has **NO** affiliation with Sonos, Inc. Sonos® and ARC® are registered trademarks of Sonos, Inc.

Next Level UM1-A Mounting Bracket

Thank you for purchasing the UM1-A bracket system exclusively for the Sonos ARC. Please read the directions thoroughly and plan how the mount would be best installed for its intended use. Failure to do so may result in Damage, Personal Injury, or voiding the warranty. It is the installer's responsibility to ensure all components are properly installed. JS Speaker Technology LLC is not responsible for any damage or injury resulting from improper mounting or use of the UM1-A bracket.

These instructions are only a guide and the installer is responsible for the correct and secure mounting of all associated products. Please follow all manufactures instructions for any product being installed with the UM1-A bracket. **Please note:** Each Setup will be different and these directions may not account for every situation. The person installing the bracket should have experience mounting load bearing assemblies. For any questions or concerns, please contact technical support at Next Level Acoustics at 617-237-2875 or info@nextlevelacoustics.com.



CAUTION: The UM1-A is intended for use when mounting only the Sonos ARC. Use with any other soundbar/speaker product may result in instability causing possible serious injury or damage. Review all relevant manuals (i.e. third-party mounts / display) to ensure that the setup can handle the load.

- **30 lbs.** when mounting below the TV in conjunction with a TV mount

DISCLAIMER: Only use this bracket to mount the Sonos ARC **BELOW** the display.

Specifications

- Shipping Dimensions: 22" x 4" x 4"
- Shipping Weight: 4 lbs.
- Bracket Weight: 3 lbs.

Parts Included

- (1) Left and Right Bracket Assemblies (Sandwich, Vertical)
- (1) Sonos ARC Adapter Left and Right Brackets

Hardware Included

- (4) #10 Nuts and (4) 1/4" Nut
- (4) #10 Bolts and (4) 1/4" Bolts
- (1) Set of M5 Bolts and Washers w/ hex Key to attach the bracket to the Sonos ARC

PLEASE READ: May require spacers between the UM1-A and TV mount, when using lower profile mounts (**sub 2.75" from wall to back of the display**) due to the increased depth adjustment capabilities of this bracket system

Mount Uses (below TV only)

- Mounting the Sonos® ARC® directly to the TV

Configuring the UM1-A Bracket

- Assemble the UM1-A following the **Figure 1 Bracket Setup** diagram using the provided parts and hardware
- **Please note:** There are left and right side parts to this assembly (Vertical Support, ARC Adapter)
- Once assembled, the UM1-A bracket locations can be swapped/ flipped to fit an assortment of required installations

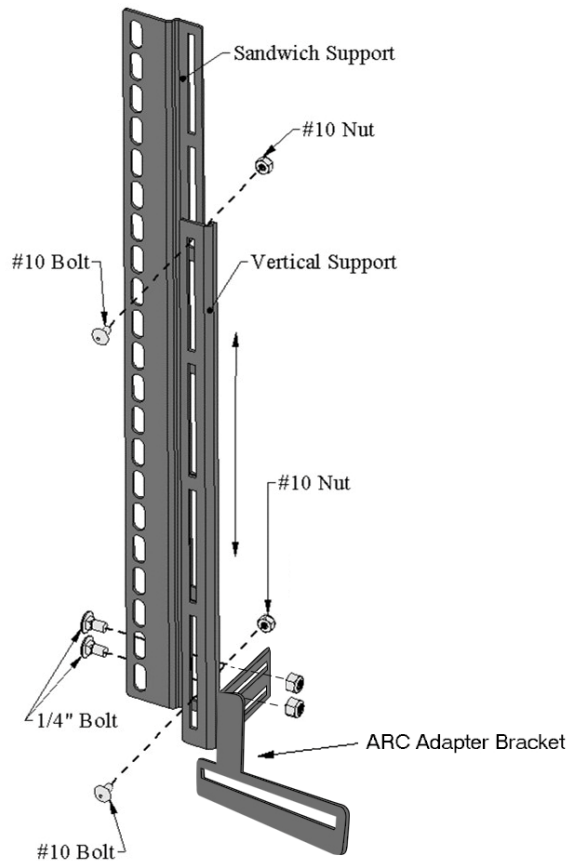


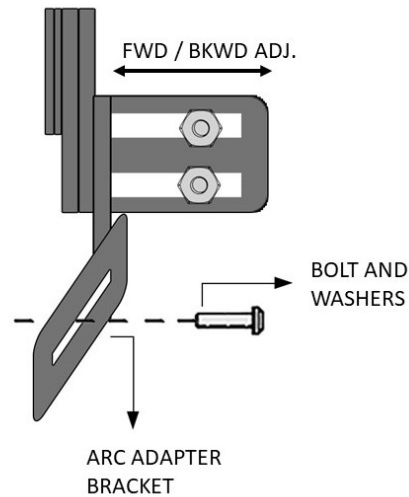
Figure 1 Bracket Setup

Height Adjustments

- Height Adjustment is achieved by loosening the #10 Bolts as needed and sliding the Vertical Support up and down on the Sandwich Support. For the sturdiest setup keep the #10 Bolts as far away from each other as possible
- Once you have achieved the proper height, lock the setting into place by tightening the #10 bolts. **Do not overtighten!**

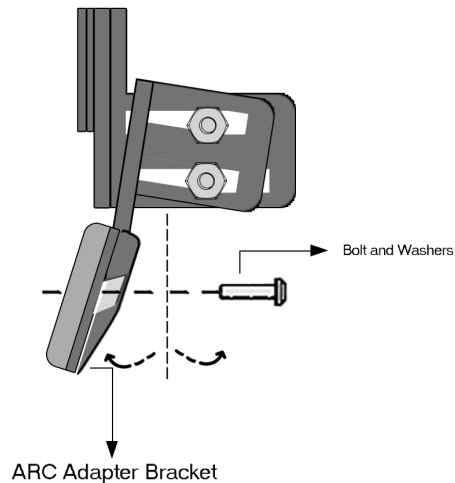
Forward/Depth Adjustments

- Choose the proper forward/depth adjustment location to position Sonos ARC so that at the minimum the back edge of the grille on the soundbar clears the front edge of display
- Loosen the 1/4" nuts, slide the bracket forwards or backwards, lock into place by tightening the 1/4" nuts. **Do not over tighten!**



Tilt Adjustments

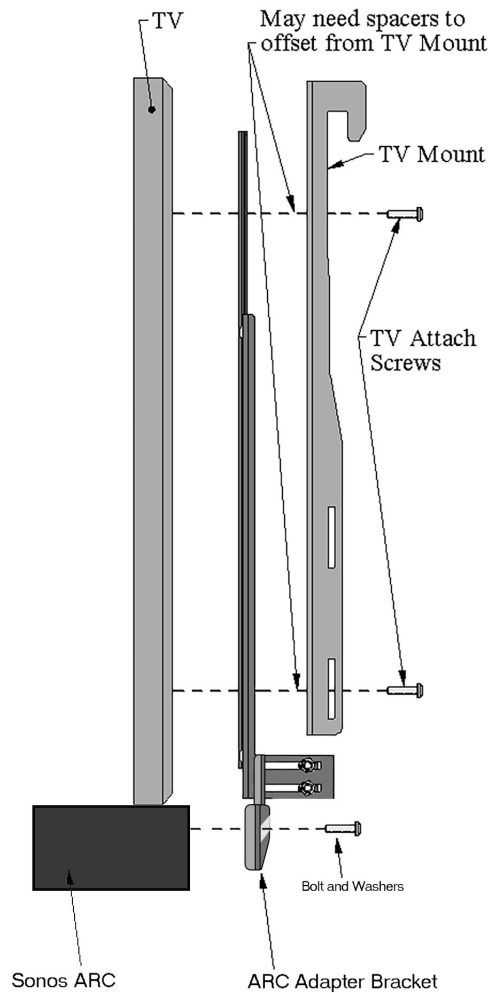
- Choose the proper tilt adjustment angle to ensure that the Sonos ARC is level
- Loosen the 1/4" nuts, tilt the ARC Adapter Bracket, lock into place by tightening the 1/4" nuts. **Do not over tighten!**



Attaching the UM1-A to the TV

- Determine the optimal bracket placement and line the Sandwich support's oval holes with the threaded holes on the back of your TV. Secure the Sandwich Support to the back of the TV using the TV manufacturer's recommended hardware. **Please note:** The UM1-A bracket assembly should always be mounted between the TV and the TV mount. Ensure that the bolts go through all of the hardware being used into the back of the TV.
- If your TV has bump outs, spacers may be needed. (Spacers are not included)

**** Before mounting, consult your TV's owner manual / TV mount's manual and follow all safety precautions****



Mounting your Sonos® ARC

- Supports 300mm to 600mm horizontal VESA patterns **ONLY**
- Mount the L/R sides of the UM-1 bracket to the back of the TV
- For **600mm** horizontal VESA spacing, swap the Sandwich brackets mounting location so that the attached Vertical brackets mount going towards the center of the display. This will allow the ARC adapter bracket to reach the threaded inserts on the Sonos® ARC
- **Please note:** The Sandwich, Vertical and ARC adapter brackets may be flipped in various ways providing additional adjustment options. The right placement will depend upon your application
- Attach the ARC adapter brackets using the included 1/4" carriage bolts and 1/4" nylon nuts to the vertical support bracket



- Secure the ARC adapter bracket to the back of the Sonos® ARC by using the provided hardware in this recommended order: 18mm M5 bolt, lock washer, flat washer, fender washer and then into the Sonos® ARC using the hex key. We **strongly suggest** two people perform this action to ensure that you do not drop the Sonos® ARC while securing to the ARC adapter brackets



- Use the Height, Forward/Depth, and Tilt adjustments to place the Sonos® ARC in your desired location and lock into place using the nylon nuts. **Do not over tighten**
- **At a minimum**, ensure that the back of the speaker grill on the Sonos ARC clears the front edge of the display. This will allow the Atmos drivers to remain unobstructed



- **When using a Tilt Mount**—Use the Tilt adjustment feature to re-level the Sonos® ARC so that the Atmos drivers fire up from a level plane

Do not mount the Sonos® ARC above the TV



www.nextlevelacoustics.com